

УНЭЛ

Import Substitution. Engineering. Innovation.

TABLE OF CONTENTS

CMRG for drilling equipment and equipment for oil and gas production, transportation and processing 7

УНБ-600 drilling pump	9
БрН-1 drilling pump	11
НБТ-600 (УНБТ-950) pump	12
9Т cementing pump	13
НБТ-235 drilling pump	14
9МГр cementing pump	14
Cardwell rig Gardner Denver 5 pump	15
Quick disconnect seals	15
Frakmaster plunger pump	15
2ПН-1300 pump	15
УНЦ pump	16
СИИ pump	17
Cementing device	18
Protectors (R/M API; R/M API R; rubber of type А, Б, В, В1, Г)	18
RGN-500 drilling pump (China)	19
F-500, F-800 drilling pump (China)	19
3NB 800F drilling pump (China)	20
3NB-1000, 3NB-1600F pump (China)	22
F-1600 pump (China)	23
F-500.800 diaphragm	23
Ideco swivel	24
Swivel (Romania)	24
Б-1.56.00.000 (ВЗБТ) swivel	24
БУ-75БР swivel	24
УВ-320 swivel	24
БУ-1600 swivel	25
ЛБУ-1200 winch	25
Other seals	25
ПП 180x21 ram BOP seals	28
ППГ 2-180x21 (35) ram BOP seals	29
3ППГ 180x35K2 ram BOP seals	30
ППГ 2-230x21 (35) ram BOP seals	31
ППГ 2-230x21.36.00 ram BOP seals	32
П 230x35.70 (П2.05.00.000 СБ) ram BOP seals	33
3ППГ 280x35 ram BOP seals	34
ПП 280x35 ram BOP seals	35
ПП 350x35 ram BOP seals	36
ПП 350x355 ram BOP seals	37
ОП 425x21 ram BOP seals	38

Products Catalogue

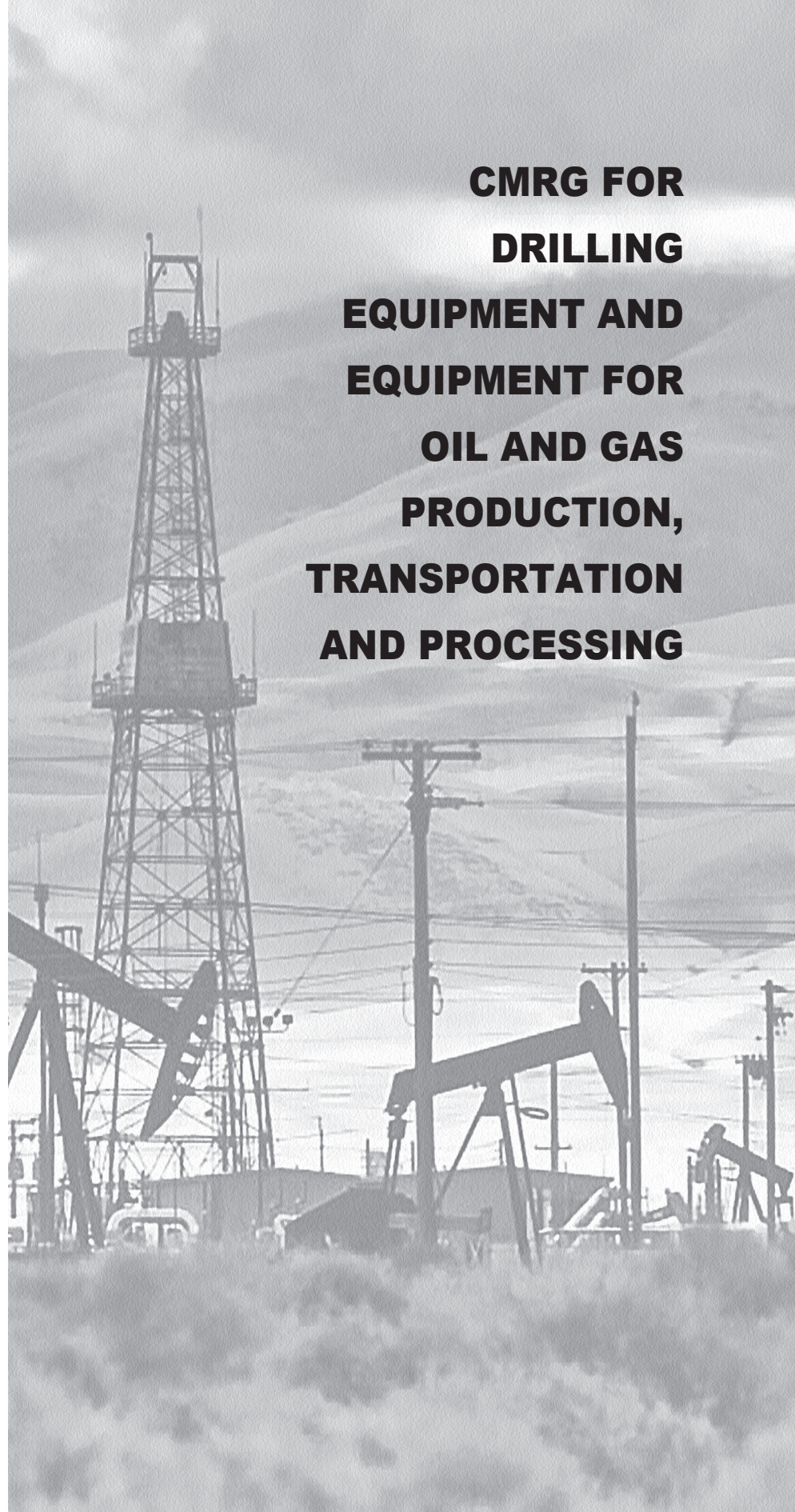
This Catalogue contains information on general mechanical rubber goods and on products made from polyurethane, plastics, Teflon, thermostatic elastomers of various applications.

2ППГ 425x21 ram BOP seals	39
9" Shaffer BOP seals	40
11" Shaffer BOP seals	41
7 1/16" Cameron ram BOP seals	42
7 1/16" Varko Shaffer ram BOP seals	43
V-20 coiled tubing unit	44
ППГ 2-152x21.11.00 ram BOP seals	45
230x35, 280x35, 350x35 annular BOP seals	46
ПП 230x35.70 (П4.05.00.000 СБ) ram BOP	47
3ППГ 280x35, 3ППГ 350x35 ram BOP	48
ПП 350x35 ram BOP	48
7 1/16" 3M psi Cameron annular BOP seal	49
Rotary sealers	49
Rotary seals	49
Shaffer annular BOP	50
11"x 5 MPa Shaffer annular BOP	51
11" Shaffer ram bracket sealing set	51
11" Shaffer lock rod sealing set	52
20x38x8 Cameron control panel pump / rod gland	52
Spherical rubber diaphragms for drilling pump pneumatic compensators	53
Hydropneumatic accumulator diaphragms	53
Casing head seals (Type 1)	54
Casing head seals (Type 2)	54
Rubber-metal lip seals	55
Seals (Type 1, Type 2, Type 3)	56
Casing head slip lip seals (6 slots, 12 slots)	57
Casing head slip lip seals	58
T seals	58
Column seals	59
Pony packer rubber seals (Type 1, Type 2)	60
Pony packer rubber seals (Type 3, Type 4)	61
Pony packer rubber seals (Type 5, Type 6)	62
Pony packer rubber seals (Type 7, Type 8, Type 9)	63
Rubber-metal packer seals	64
Self-centring polished rod seals	65
Pipe wiper	65
Manifold seals	66
57x4.6 O-ring	66
CMRG for isolation valves, compressor and pipeline equipment	67
Valves, actuators	69

FLEXIBOX mechanical seal O-ring	73
O-rings for Russian equipment mechanical seals	74
Compressor seals	75
Centrifugal oil pump mechanical seal O-rings	76
Valve seals	77
Balls	77
Rubber-textile membrane Eckardt sandwich-type rubber-textile membrane	78
Rubber-textile diaphragms	79
GMRG for equipment in nuclear, heat, hydroelectric power stations and other power facilities	81
Lip seals for KIDs	83
УМ, ОМ strips	83
GMRG for nuclear power plant equipment	84
Liners	84
Other seals	84
Resilient bushes	85
МУВ П1-100 ТУ 38.105-1835-88 tapered plugs	85
Pumps: ПТА 3750-75, ПТА 3800-200	85
Pumps: КсБА 630-125, КсБА 200-220, КсА 1500-240, КсБА 630-125, КсБА 125-55, КсА 1500-120	86
Pumps: ПЭА 150-85 СТП 86.75, ЦН 150-90Г, ПЭН 150-85 pump (Yugoslavia)	87
Pumps: Ш25-25-3.6/4.6, МВ 60-490, ЦНСМ 38-132, 5 НК 5x1, HP 1250-32	88
GMRG for various industrial equipment	89
GOST 9833-73 O-rings	91
Other rubber O-Rings	93
Square-section rings	98
GOST 8752-79 armoured lip seals	98
GOST 22704-77 lip seals	99
Other rubber lip seals	99
GOST 14896-84 lip seals	101
Other seals (resilient couplers, lip seals, hoods, etc.)	103
TU 38.105-2002-91 marine cylinder shock absorbers Diaphragm, V – 10 L, 25 L	113
Booster pump buffer diaphragm	113
Discharge liquid accumulator membranes	113
Rubber blanks for mechanical production of different seals (rings, lip seals, gaskets, etc.)	114
GOST 6467-79 rubber cords	115
Polyurethane products	116
GOST 14896-84 lip seals	116

Other lip seals	117
Seal ring	118
GOST 22704-77 lip seals	119
Sealing set	119
Pipe rollers	120
Valve	121
Cup seal	122
Seal	122
Intermediate rings	122
Bush	124
Protection collar	124
Gardner Denver pump valve seal	124
Desanding hydrocyclone nozzle	124
Desilting hydrocyclone nozzle	124
Engine bracket end piece	125
232x4.6 ring	125
Д115 piston cup	125
Д127 piston cup	125
Casing staffing box packing	125
Staffing box packing	125
Plunger pump valve seal	126
Cylinder sleeve seal	126
Screw conveyor bracket casing	126
Resilient coupler sprocket	126
Teflon products	127
Seals	127
Plastic products	128
Products for man-made fibre production equipment	128
Spandex thread winding cartridge	128
Pipe internal thread protective caps	129
Brace slide for pipelaying operations	129
Isolating shims for contact system brackets and cantilevers clamps	130
Yoke	131
Locking washer	131
Vial plug	131
1119-2902814 hood	132
Д-3516.0001 wheel	132
Insulator	132
Lathe cut rubber production	133
Scrapers	135
Additional standard cross-section types	137
Guide rings	138
Support rings	139
Symmetrical seals	140
Static seals and O-rings	142
Piston seals	143
Rod seals	147
Rotary joint seals	150
Automotive products	151
Bump stops	153

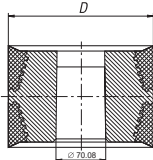
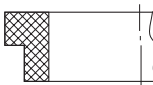
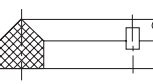
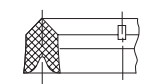
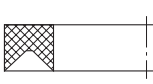
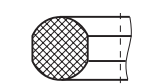
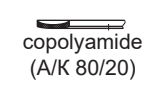
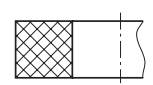
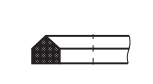
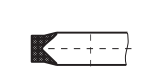
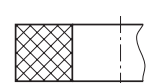
CMRG FOR DRILLING EQUIPMENT AND EQUIPMENT FOR OIL AND GAS PRODUCTION, TRANSPORTATION AND PROCESSING





CMRG FOR OIL AND GAS DRILLING EQUIPMENT

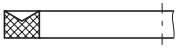
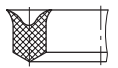
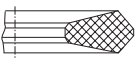
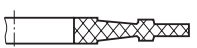
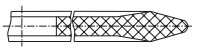
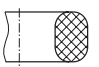


YH5-600 drilling pump

	Piston	D - 120 - 170 - 130 - 180 - 140 - 190 - 150 - 200 - 160 - 210
Rod sealing set (4066.53.540 c6)		
	Guide bush (caprolete)	4066.53.541
	Thrust ring	4066.53.52
	Lip seal	4066.53.53
	Support ring (caprolete)	4066.53.68
Cylinder sleeve sealing set		
	Cylinder sleeve seal	4066.53.578
	Ring	4066.53.586
Hydraulic unit (14016.53.070 c6)		
	Cylinder sleeve seal	4066.53.577
	Thrust ring	4066.53.44
	Lip seal	4050.53.307
	Valve bonnet seal	4066.53.577 ИЭ



CMRG FOR OIL AND GAS DRILLING EQUIPMENT

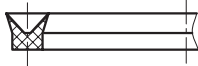
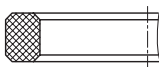
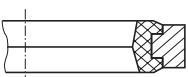
УНБ-600 drilling pump

	Support ring	4066.53.45
	Lip seal	4066.53.43
	K-9 valve seal	4066.53.566-1
	Д-116 disk deflector	4066.53.514
	Stabilizer	4066.53.517
4066.53.679сб valve bonnet sealing set		
	Valve bonnet sealing	4066.53.213
		4066.53.212
GOST 9833-73 complete set of O-rings		
	УНБ-600 drilling pump	drwg. 1416.53.100
	Pressure relief valve	drwg. 1066.53.100
	Transmission shaft	drwg. 14016.53.090 сб
	Crank and rod assembly	drwg. 14026.53.080 сб

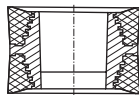


CMRG FOR OIL AND GAS DRILLING EQUIPMENT

УНБ-600 drilling pump

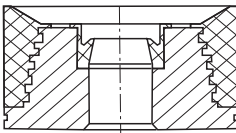
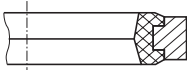

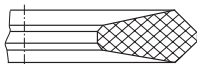
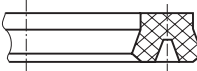
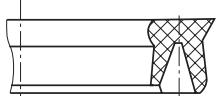
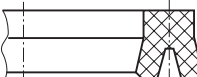
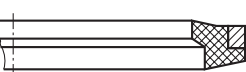
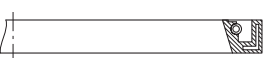
	Pump pony rod seal	
	Cylinder sleeve seal	substitute 4066.53.577
	Pump valve bonnet seal	

БрН-1 drilling pump

	Piston	D - 120 - 170
		- 130 - 180
		- 140 - 190
		- 150 - 200
		- 160

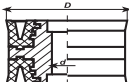
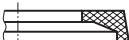

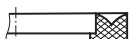






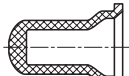

CMRG FOR OIL AND GAS DRILLING EQUIPMENT

НБТ-600 (УНБТ-950) pump

	Piston	D - 120 - 160 - 130 - 170 - 140 - 180 - 150
	Cylinder sleeve seal	с6 01-5
	Seal	с6 01-8
	Valve seal	K-7
	Lip seal	05-101/БрН-1
	Valve bonnet seal	01-27/БрН-1
	Lip seal	117-304/БУ-75 Бр
	Lip seal	СБ 19-14/БУ 2500 ЭУ
	Transmission shaft lip seal	210x250

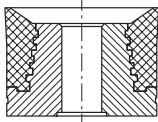

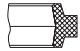
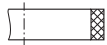
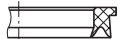
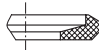
CMRG FOR OIL AND GAS DRILLING EQUIPMENT

9T cementing pump

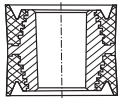
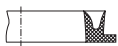




	Piston	D - 80 - 110 - 90 - 115 - 100 - 127
	Valve seal	
	Rod seal	
	Cylinder cover lip seal	
	Cylinder sleeve O-ring	
	Front cover seal	
	Buffer	
	Buffer	
	Pump separator membrane	
	Valve seal	
	Phase separator membrane	
	Phase separator membrane	

CMRG FOR OIL AND GAS DRILLING EQUIPMENT

HBT-235 drilling pump

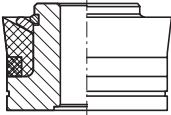
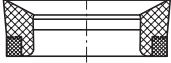
	Piston	D - 80 - 120 - 100 - 140 - 110 - 160
	Piston hub O-ring	GOST 9833-73
	Piston rod seal	H10.01.00.024
	Cylinder sleeve cover seal	H10.01.00.023 H10.01.00.023.01
	Valve bonnet seal	H5.01.00.017
	Valve seal	H5.01.00.145-01

9MГp cementing pump



	Piston	D - 80 - 110 - 90 - 115 - 100 - 127
	Valve bonnet lip seal	
	Rod seal	
	Rod deflector	
	Valve seal	
	Cylinder sleeve O-ring	

CMRG FOR OIL AND GAS DRILLING EQUIPMENT





Cardwell rig Gardner Denver 5 pump

	Piston assembly	D - 114 - 127
	Piston seal	D - 114 - 127

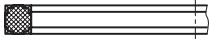
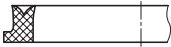

Quick disconnect seals

	EPC mechanical seal	53.5x72.3x11.5
	EPC seal (O-ring)	060-068-46

Frakmaster plunger pump

	Scraper ring	100x115x6.5
	Guide packing gland	98x126.5x22
	4" Plunger gland	100.7x130.7x16.5
	Valve seal	81.5x114x14

2PH-1300 pump

	Cylinder sleeve seal	230x265x19.5
	Pump valve seal	220x150x22
	Pump buffer stabilizer	Ø502



CMRG FOR OIL AND GAS DRILLING EQUIPMENT

2ПН-1300 pump

	Pump pony rod seal	190.5x170x22
	Pony rod seal	128x155x13
	Piston cup with a ring	Ø190
	Piston	5 1/2" 6" 6 3/4" 7 1/2"

3ПН-1300 pump

	Valve bonnet seal	203x22
	Piston lip-seal with a ring	Ø190
	Pump buffer stabilizer	Ø502
	Piston	6" 6 3/4" 7 1/2"

УНЦ pump

	Valve seal	50x120x15
	O-ring	060-068-46
	Plunger lip seal	97x128x15
	Unit lip seal	140x170x17
	Pump cover lip seal	120x156x20
	Swivel joint seal	16x60x6



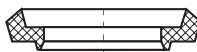
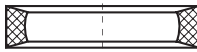


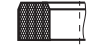


CMRG FOR OIL AND GAS DRILLING EQUIPMENT

СИН pump

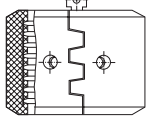
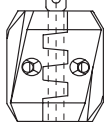
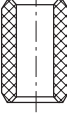
	Valve lip seal	64x120x18
	Plunger lip seal	100x125x10
	Plunger lip seal	100x125x12
	Jacket seal	140x160x17
	Pump body seal	99.5x143.5x24
	ЦА-320 lip seal	125x152x24
	Lip seal	99.2x145.6x24.5
	Lip seal	46.2x110.5x111x16
	Lip seal	125x146x16
	Lip seal	124x152x20
	Lip seal	138x162x18.5
	Lip seal	48.9x118.5x119x17.2
	Lip seal	121x149x10
	Lip seal	123x153x25

CMRG FOR OIL AND GAS DRILLING EQUIPMENT

Cementing device

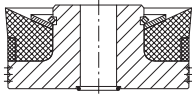
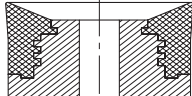

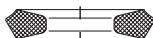
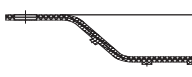
	Valve disk	72x112x13
	Chevron seal	49x63x14
	9E-2-9 cylinder front cover lip seal	131x167x25
	HПЦ-320, ЦА-320 piston lip seal	36.5x53.5x10
	57-69-87 cylinder sleeve seal	142x162x22.5
	10T-1-11 (HПЦ-320, ЦА-320) valve bonnet lip seal	82x124.5x23
	cylinder cover lip seal (HПЦ-320, ЦА-320)	95x140.5x22

Protectors

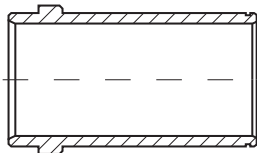
	Rubber-metal protector (API Spec.) 150x152 127x152 114x152	TU 2530-015-22425964-05
	Rubber-metal protector (API R Spec.) 89x152 114x152 127x152	
	Rubber protector of type A, Б, В, В1, Г 50x155	
	Version: H – standard, K2 or K3 – corrosion resistant	

CMRG FOR OIL AND GAS DRILLING EQUIPMENT

RGN-500 drilling pump (China)

	Piston assembly (fabric heel)	-120 -130 -140 -150	-160 -170 -180
	One-piece rod	-120 -130 -140 -150	-160 -170 -180
	Pump valve spring guide (Д-1573.00)		
	Valve seal (Д-1574)		
	Pressure equalizer diaphragm (Д-1575)		

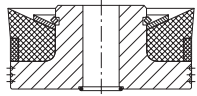
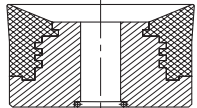

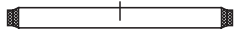
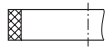


F-500, F-800 drilling pump (China)

	Cylinder sleeve	-120 -130 -140 -150	-160 -170 -180
---	-----------------	------------------------------	----------------------

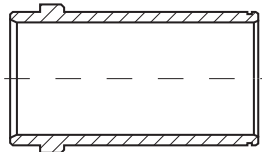


CMRG FOR OIL AND GAS DRILLING EQUIPMENT

F-500, F-800 drilling pump (China)

	Piston assembly (fabric heel)	-120 -130 -140 -150	-160 -170 -180
	One-piece rod	-120 -130 -140 -150	-160 -170 -180
	Valve seal (Д-1418)		
	Valve bonnet seal (Д-1419)		
	Cylinder sleeve seal (Д-1420)		
	Stabilizer (Д-1426)		
	Cylinder sleeve seal (Д-1421)		

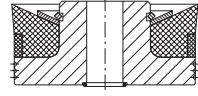
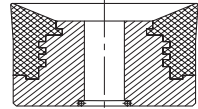
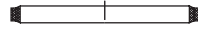
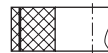
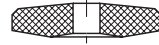


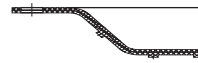
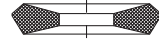
3NB 800F drilling pump (China)

	Cylinder sleeve	-120 -130 -140 -150	-160 -170 -180
---	-----------------	------------------------------	----------------------



CMRG FOR OIL AND GAS DRILLING EQUIPMENT

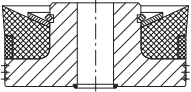
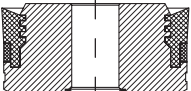
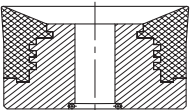
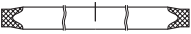

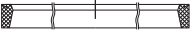
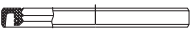



3NB 800F drilling pump (China)

	Piston assembly (fabric heel)	-120 -130 -140 -150	-160 -170 -180
	One-piece rod	-120 -130 -140 -150	-160 -170 -180
	Valve bonnet seal (Д1576)		
	Valve cover seal (Д-2016)		
	Buffer washer (Д-2017)		
	Rod O-ring (Д2015)		
	Valve seal (Д 1577)		
	Pressure equalizer diaphragm (Д-1575)		
	Valve lip seal (Д2018)		



CMRG FOR OIL AND GAS DRILLING EQUIPMENT

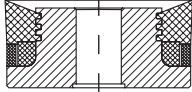
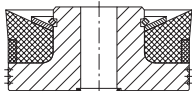
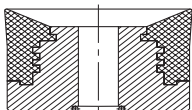




3NB-1000, 3NB-1600F pump (China)

	Piston assembly (fabric heel) w/ polyamide ring	-120 -130 -140 -150	-160 -170 -180
	Piston assembly (fabric heel)	-120 -130 -140 -150	-160 -170 -180
	One-piece rod	-120 -130 -140 -150	-160 -170 -180
	Cylinder sleeve seal (Д-2240)		
	Valve seal (Д-2238)		
	Front nut O-ring (Д-2239)		
	Double-face gland (Д-2237)		
	Oil ring (Д-2237)		
	Front cover seal (Д-1981)		
	207x189x9 Ring (Д-1733)		

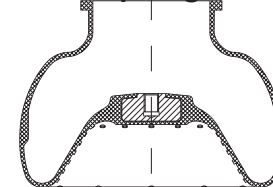


CMRG FOR OIL AND GAS DRILLING EQUIPMENT

F-1600 pump (China)

	Piston assembly (fabric heel) w/polyamide ring	-120 -130 -140 -150	-160 -170 -180
	Piston assembly (fabric heel)	-120 -130 -140 -150	-160 -170 -180
	One-piece rod	-120 -130 -140 -150	-160 -170 -180
	Jacket seal (Д-1709)		
	Valve bonnet seal (Д-1710)		
	Front cover seal (Д-1711)		
	Valve seal (Д-1712)		

F-500.800 diaphragm



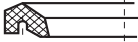



CMRG FOR OIL AND GAS DRILLING EQUIPMENT

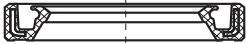
Swivel Seals

Swivels are designed to suspend the weight of the drill equipment and to ensure leak-proof transition of drilling mud through the points where fixed parts are connected to the rotating drill string.

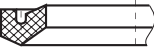
Ideco swivel

	Mud pipe seal	118x87.4x17.2
	Mud pipe O-ring	92.8x5.33

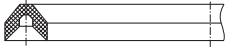

Swivel (Romania)

	BOP stack seal	170x200x15
---	----------------	------------


Б-1.56.00.000 (B3БТ) swivel

	4066.46.48 lip seal	90x120
---	---------------------	--------

БУ-75БР swivel

	Chevron seal	
	Swivel lip seal	170x190x12

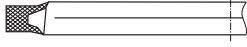
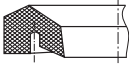
YB-320 swivel

	HP-200, 220, 240 lip seal	
---	------------------------------	--



CMRG FOR OIL AND GAS DRILLING EQUIPMENT

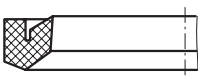
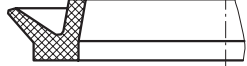
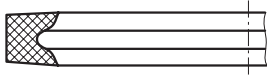
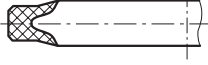
БУ-1600 swivel

	Lip seal	Б4.46.00.121
	Lip seal	Б4.46.00.110

ЛБУ-1200 winch

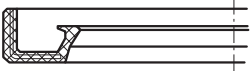
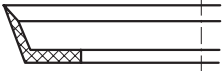

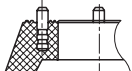
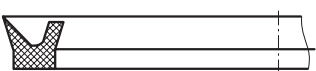
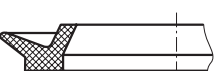
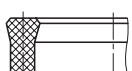

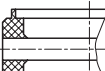
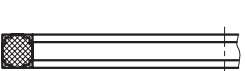
	Centre support	100x161x123
		90x165x100
	Sleeve	100x165x125
		85x155x95

Other seals

	YB-50 swivel washpipe seal
	АКБ-3 cylinder block lip seal
	YB-250, 4066.46.16 packing seal
	4092.46.12 swivel lip seal

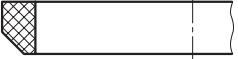
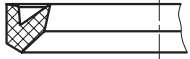
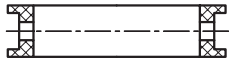


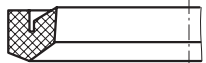
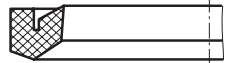
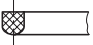
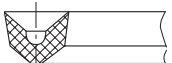
CMRG FOR OIL AND GAS DRILLING EQUIPMENT

Other seals

	Swivel armoured lip seal
	PPC 340, 360, 400 cylinder lip seal
	YB-250 swivel lip seal
	Seal
	PPC lip seal
	ДЗУ-250 lip seal
	Seal
	Gate seal
	Gate seal
	Cylinder sleeve seal

CMRG FOR OIL AND GAS DRILLING EQUIPMENT

Other seals

	Seal (Д-291)
	CH-400 swivel mud cylinder seal
	Gate valve seal
	Washer
	МБУ-160 gate valve seal
	ББ-80 lip seal
	ББ-80-1 lip seal
	P-500S rod seal
	



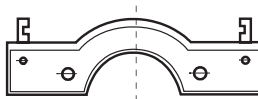
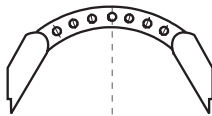
CMRG FOR OIL AND GAS DRILLING EQUIPMENT

Other seals

Glands for ram-type blowout preventors (BOP) are designed to seal a wellhead with/without drill pipes in the well.

ПП 180x21 ram BOP seals

Upper gland



Pipe gland



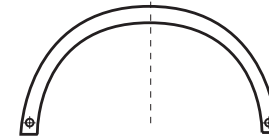
Dead seal

Sealed pipe size, mm
60
73
89
114
Dead
Upper



CMRG FOR OIL AND GAS DRILLING EQUIPMENT

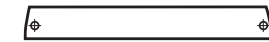
ППГ 2-180x21 (35) ram BOP seals



Upper gland



Pipe gland



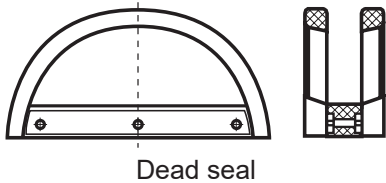
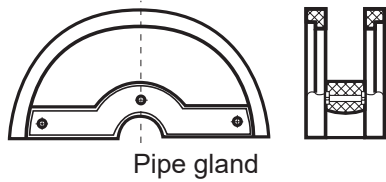
Dead seal

Sealed pipe size, mm	Seal (drwg. item No.)
42	172.4.50.000.0-05
48	172.4.50.000.0-06
60	172.4.50.000.0
73	172.4.50.000.0-01
89	172.4.50.000.0-02
102	172.4.50.000.0-03
114	172.4.50.000.0-04
Dead	172.4.70.000.0
Upper	172.4.40.000.0



CMRG FOR OIL AND GAS DRILLING EQUIPMENT

ЗППГ 180x35K2 ram BOP seals

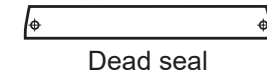
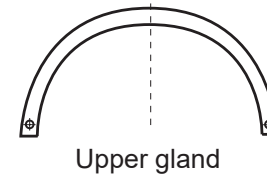


Sealed pipe size, mm	Seal (drwg. item No.)
60	ЗППГ180.110.K2-05
73	ЗППГ180.110.K2-06
89	ЗППГ180.110.K2-07
114	ЗППГ180.110.K2-11
Dead	ЗППГ180.140.K2CБ



CMRG FOR OIL AND GAS DRILLING EQUIPMENT

ППГ 2-230x21 (35) ram BOP seals

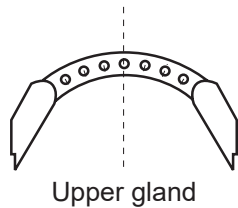


Sealed pipe size, mm	Seal (drwg. item No.)
60	172.7.50.000.0-01
73	172.7.50.000.0-02
89	172.7.50.000.0-03
102	172.7.50.000.0-04
114	172.7.50.000.0-05
168	172.7.50.000.0-09
Dead	172.7.70.000.0
Upper	172.7.40.000.0

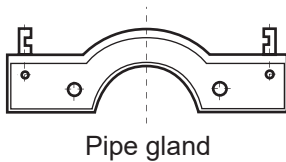


CMRG FOR OIL AND GAS DRILLING EQUIPMENT

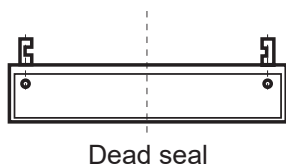
ППГ 2-230x21.36.00 ram BOP seals



Upper gland



Pipe gland



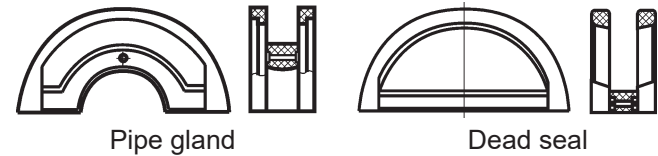
Dead seal

Sealed pipe size, mm	Seal (drwg. item No.)
114	ППГ2.230x21.46.00
168	ППГ2.230x21.46.00-01
Dead	ППГ2.230x21.36.00
Upper	ППГ2.230x21.35.00



CMRG FOR OIL AND GAS DRILLING EQUIPMENT

П 230x35.70 (П2.05.00.000 СБ) ram BOP seals



Pipe gland

Dead seal

Sealed pipe size, mm	Seal (drwg. item No.)
60	П4.05.00.260СБ
73	П4.05.00.270СБ
89	П4.05.00.280СБ
102	П4.05.00.300СБ
114	П4.05.00.320СБ
127	П4.05.00.330СБ
140	П4.05.00.340СБ
146	П4.05.00.350СБ
168	П4.05.00.360СБ
Dead	П4.05.00.820СБ

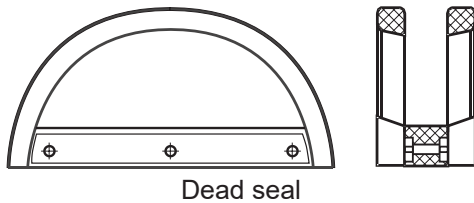
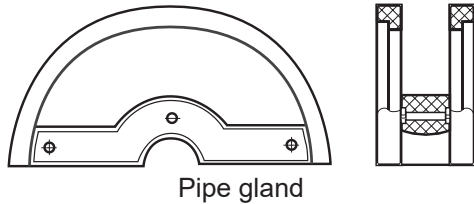
List of GMRG for preventer hydraulic unit

Description	GOST, drwg. item No.	Application
Complete set of O-rings	GOST 9833-73 GOST 18829-73	Counter rod seal
		Rod seal
		Piston and cylinder cover seals
Seal	П1106.07030СБ	Seal between casing and cylinder covers



CMRG FOR OIL AND GAS DRILLING EQUIPMENT

ЗППГ 280x35 ram BOP seals

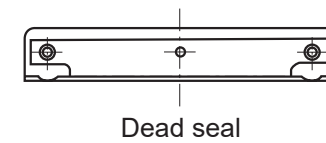
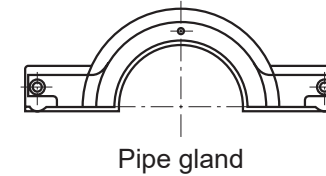
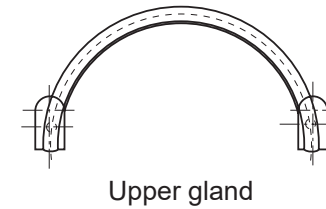


Sealed pipe size, mm	Seal (drwg. item No.)
73	ЗППГ280.090-03Ac6
89	ЗППГ280.090.-04c6
102	ЗППГ280.090.-06c6
114	ЗППГ280.090Ac6
127	ЗППГ280.090-09Ac6
140	ЗППГ280.090-08Ac6
146	ЗППГ280.090-10Ac6
168	ЗППГ280.090-11Ac6
Dead	ЗППГ280.090-14Ac6
Upper	ЗППГ280.001



CMRG FOR OIL AND GAS DRILLING EQUIPMENT

ПП 280x35 ram BOP seals

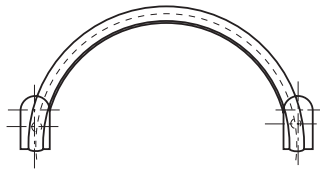


Sealed pipe size, mm	Seal (drwg. item No.)
73	ПП280.35.110-01
89	ПП280.35.110-02
102	ПП280.35.110-03
114	ПП280.35.110-04
127	ПП280.35.110
140	ПП280.35.110-05
146	ПП280.35.110-06
168	ПП280.35.110-07
178	ПП280.35.110-08
194	ПП280.35.110-09
219	ПП280.35.110-10
Dead	ПП280.35.130
Upper	ПП280.35.130-03

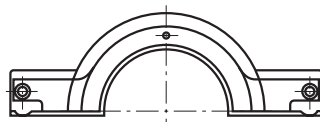


CMRG FOR OIL AND GAS DRILLING EQUIPMENT

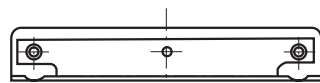
ПП 350x35 ram BOP seals



Upper gland



Pipe gland



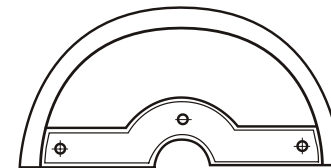
Dead seal

Sealed pipe size, mm	Seal (drwg. item No.)
73	ПП 350.35.150-01
89	ПП 350.35.150-02
102	ПП 350.35.150-03
114	ПП 350.35.150-04
127	ПП350.35.150-05 (МК2.06.00.060-05)
140	ПП350.35.150 (МК2.06.00.060-06)
146	ПП350.35.150-06 (МК2.06.00.060-07)
168	ПП 350.35.150-08
178	
194	
219	
245	
273	
Dead	ПП350.35.160 (МК2.06.00.020)
Upper	ПП350.35.130-03 (МК2.06.000.30-01)

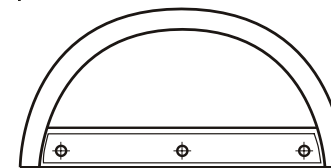
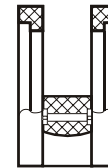


CMRG FOR OIL AND GAS DRILLING EQUIPMENT

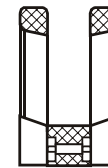
ПП 350x355 ram BOP seals



Pipe gland



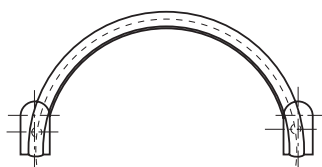
Dead seal



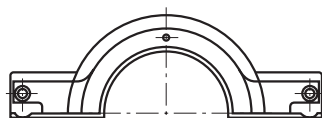
Sealed pipe size, mm	Seal (drwg. item No.)
73	ЗППГ350.1.10.3 c6
89	ЗППГ350.1.11.3 c6
114	ЗППГ350.1.15.2 c6
127	ЗППГ350.1.1.2 c6
140	ЗППГ350.1.16.2 c6
146	ЗППГ350.1.2.2 c6
168	ЗППГ350.1.3.2 c6
245	ЗППГ350.1.6.2 c6
Dead	ЗППГ350.1.8.1 c6

CMRG FOR OIL AND GAS DRILLING EQUIPMENT

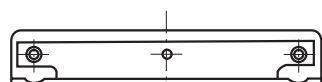
ОП 425x21 ram BOP seals



Upper gland



Pipe gland

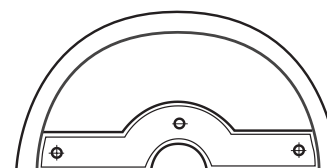


Dead seal

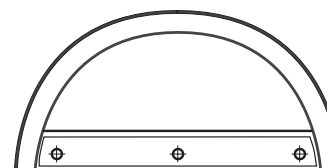
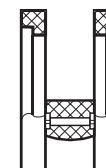
Sealed pipe size, mm	Seal (drwg. item No.)
73	
89	
102	
114	
127	12ОП.140-05 (МК 2.06.00.080-05)
140	12ОП.140-06 (МК 2.06.00.080-06)
146	12ОП.140-07 (МК 2.06.00.080-07)
168	12ОП.140-08
194	12ОП.140-10
219	12ОП.140-11
245	12ОП.140-12
273	12ОП.140-13
Dead	12ОП.190 (МК 2.06.00.020-01)
Upper	12ОП.120 (МК 2.06.00.030-01)

CMRG FOR OIL AND GAS DRILLING EQUIPMENT

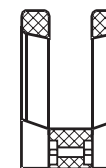
2ППГ 425x21 ram BOP seals



Pipe gland



Dead seal

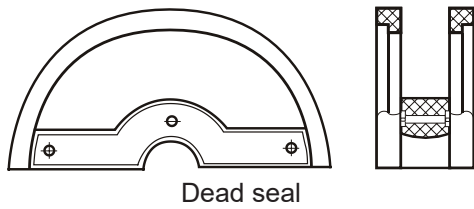
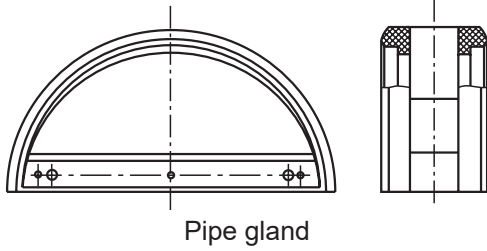


Sealed pipe size, mm	Seal (drwg. item No.)
102	
114	2ППГ 425-1.1.1.1.1-01c6
127	2ППГ 425-1.1.1.1.1-02c6
140	2ППГ 425-1.1.1.1.1c6
146	2ППГ 425-1.1.1.1.1-03c6
168	2ППГ 425-1.1.1.1.1-04c6
194	2ППГ 425-1.1.1.1.1-05c6
219	2ППГ 425-1.1.1.1.1-06c6
245	2ППГ 425-1.1.1.1.1-07c6
273	2ППГ 425-1.1.1.1.1-08c6
299	2ППГ 425-1.1.1.1.1-09c6
324	2ППГ 425-1.1.1.1.1-010c6
340	2ППГ 425-1.1.1.1.1-011c6
Dead	2ППГ 425-1.1.2.1 c6



CMRG FOR OIL AND GAS DRILLING EQUIPMENT

9" Shaffer BOP seals

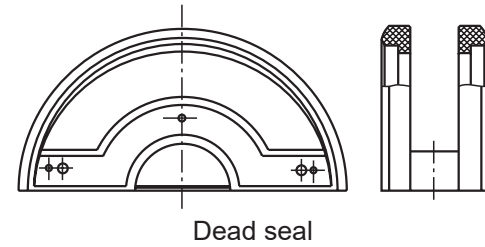
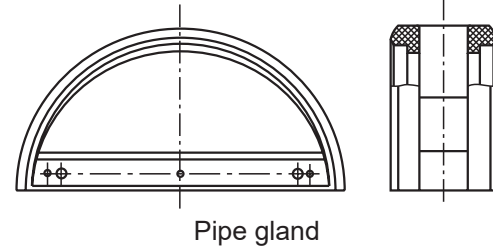


Sealed pipe size, mm
60.3
73
89
114
Dead



CMRG FOR OIL AND GAS DRILLING EQUIPMENT

11" Shaffer BOP seals

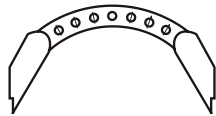


Sealed pipe size, mm
60.3
73
89
102
114
127
140
146
168
Dead

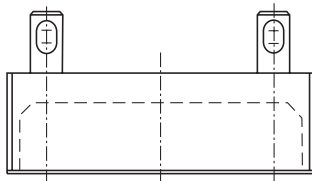


CMRG FOR OIL AND GAS DRILLING EQUIPMENT

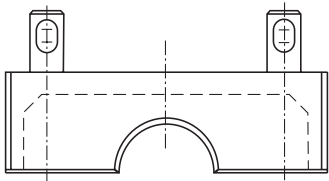
7 1/16" Cameron ram BOP seals



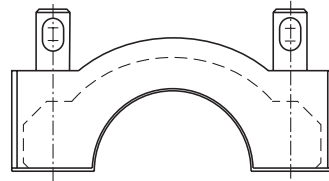
Upper gland



Dead seal



Pipe gland

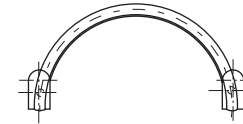


Sealed pipe size, mm
60
73
89
114.3
127
Dead
Upper

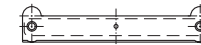


CMRG FOR OIL AND GAS DRILLING EQUIPMENT

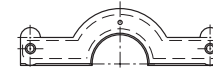
7 1/16" Varko Shaffer ram BOP seals



Upper gland



Dead seal



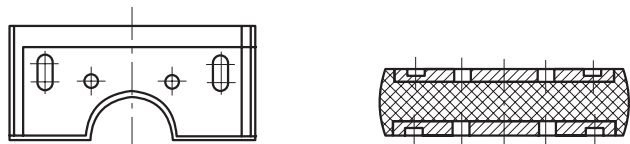
Pipe gland

Sealed pipe size, mm
60.3
73
89
Dead
Upper

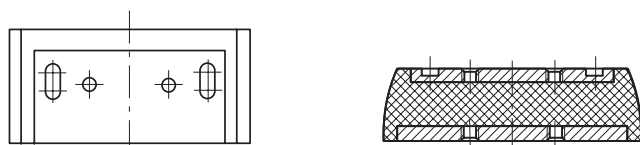
	Preventer door seal
	BOP rod sealing set

CMRG FOR OIL AND GAS DRILLING EQUIPMENT

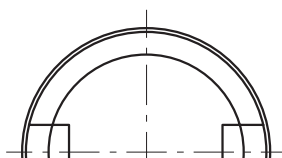
V-20 coiled tubing unit



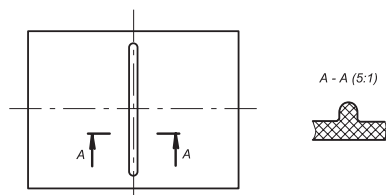
Pipe gland



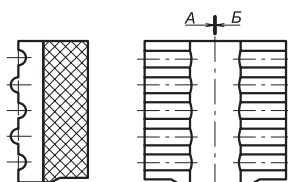
Dead seal



Upper gland



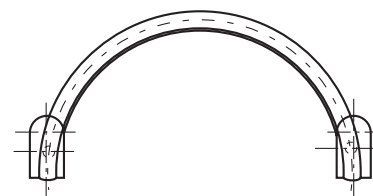
Gasket



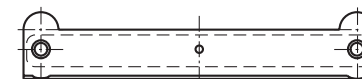
Stripper rubber, D = 100 mm

CMRG FOR OIL AND GAS DRILLING EQUIPMENT

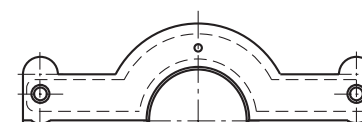
ППГ 2-152x21.11.00 ram BOP seals



Upper gland



Dead seal

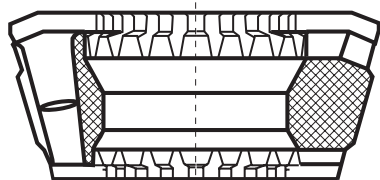


Pipe gland

Sealed pipe size, mm	Seal (drwg. item No.)
60	ППС-152x21.502-01
73	ППС-152x21.502-02
89	ППС-152x21.502-03
Dead	ППС-152x21.502
Upper	ППШ-152x21.503

CMRG FOR OIL AND GAS DRILLING EQUIPMENT

Annular blow-out preventers are designed to seal a wellhead with or without pipe column.



230x35 annular BOP seals

CMRG for BOP hydraulic unit	Part drawing No.
Lip seal	ЗПУГ-1.9
Lip seal	ЗПУГ-12А
Lip seal	ЗПУГ-11А
Lip seal	ЗПУГ-10А
Lip seal	ЗПУГ-10
BOP seal	ЗПУГ-1.1А

280x35 annular BOP seals

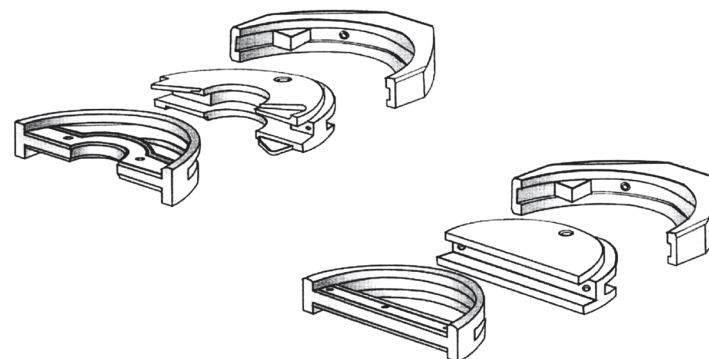
CMRG for BOP hydraulic unit	Part drawing No.
Lip seal	ЗПУ 280.008А
Lip seal	ЗПУ 280.009
Lip seal	ЗПУ 280.011
Gasket	ЗПУ 280.007
BOP gland	ЗПУ 280.010А

350x35 annular BOP seals

CMRG for BOP hydraulic unit	Part drawing No.
Lip seal	ЗПУГ350.1.7
Lip seal	ЗПУГ350.1.9
Lip seal	ЗПУГ350.1.11
Gasket	ЗПУГ350.1.4.004

CMRG FOR OIL AND GAS DRILLING EQUIPMENT

ПП 230x35.70 (П4.05.00.000 СБ) ram BOP

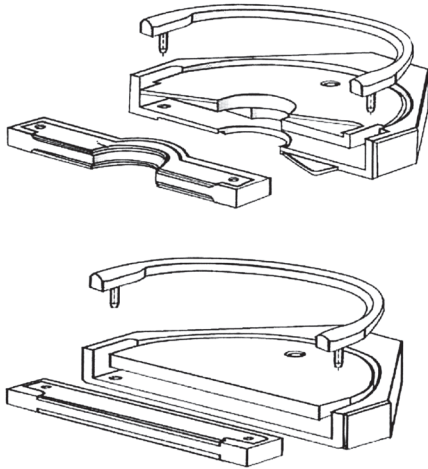


Sealed pipe size, mm	Seal (drwg. item No.)
60	
73	П4.05.00.100СБ
89	П4.05.00.110СБ
102	П4.05.00.130СБ
114	П4.05.00.150СБ
127	П4.05.00.160СБ
140	П4.05.00.170СБ
146	П4.05.00.180СБ
168	П4.05.00.190СБ
Dead	П4.05.00.200СБ

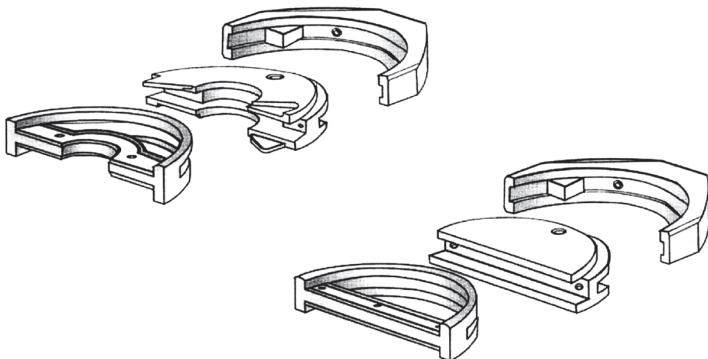


CMRG FOR OIL AND GAS DRILLING EQUIPMENT

ЗППГ 280x35, ЗППГ 350x35 ram BOP

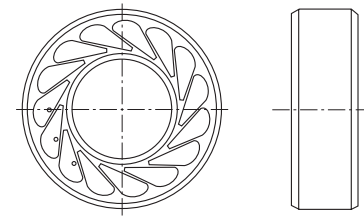


ПП 350x35 ram BOP



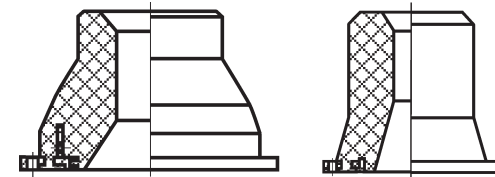
CMRG FOR OIL AND GAS DRILLING EQUIPMENT

7 1/16" 3M psi Cameron annular BOP seal



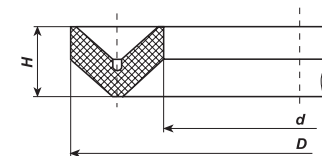
Rotary sealer

Rotary sealers are designed to seal a wellhead around any rotating part of the drill column during its rotation, reciprocation, extension and round-trip operations.



Rotary seals

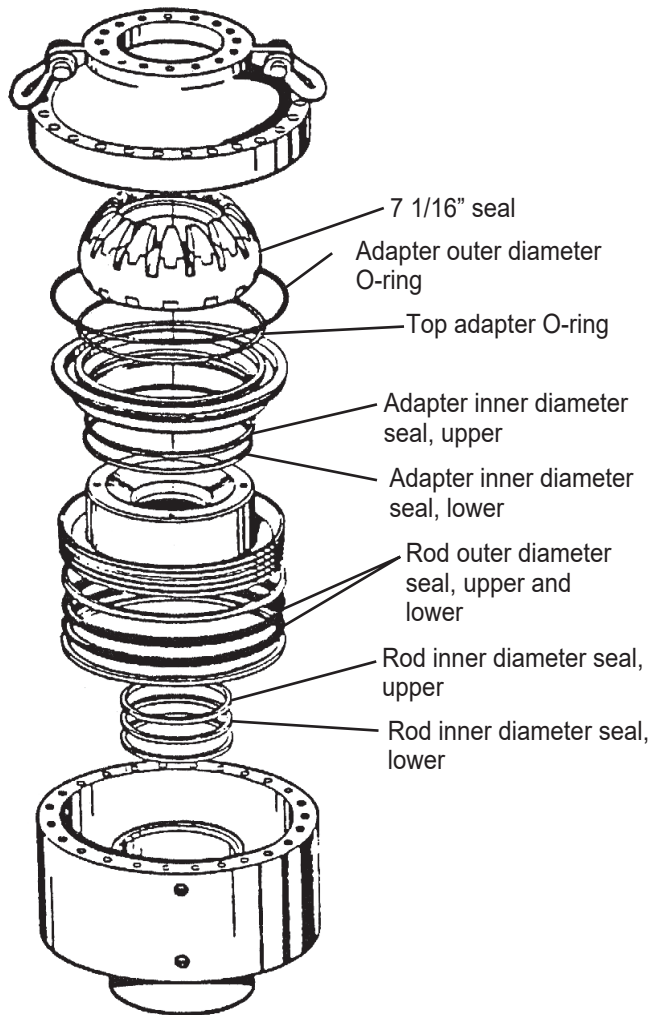
Sealed pipe size, mm	Description	Specification
73	УГВ156x60.01-01	TU 38405 278-90
89	УГВ230x60.01-01	
114	УГВ2.307x70-02-01	
127		



280x310 lip seal

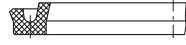
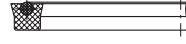



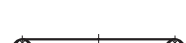

CMRG FOR OIL AND GAS DRILLING EQUIPMENT

Shaffer annular BOP

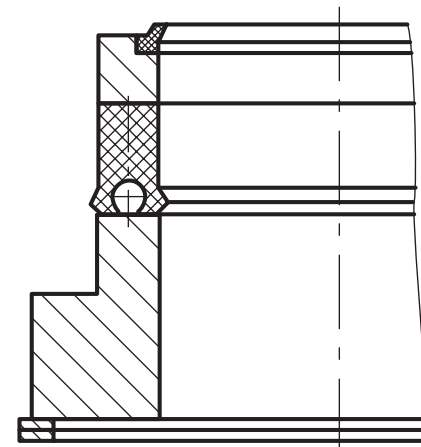


CMRG FOR OIL AND GAS DRILLING EQUIPMENT

11" x 5 MPa Shaffer annular BOP

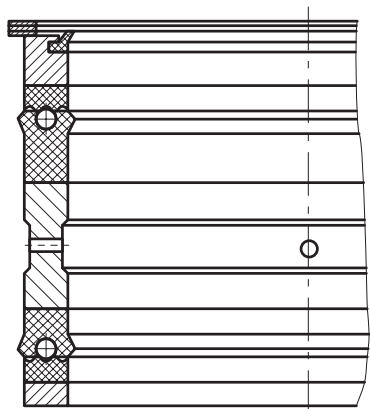
	Designation	Part No.
	Rod inner diameter seal, upper	031113
	Rod inner diameter seal, lower	031152
	Rod outer diameter seal, upper and lower	031018
	Adapter inner diameter seal, upper	031114
	Adapter inner diameter seal, lower	030781
	Adapter outer diameter O-ring	030783
	Top adapter O-ring	031115

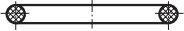

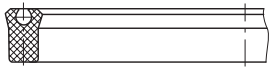


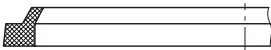
11" Shaffer ram bracket sealing set

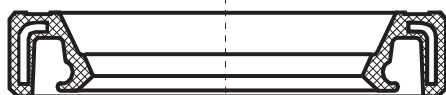


CMRG FOR OIL AND GAS DRILLING EQUIPMENT

11" Shaffer lock rod sealing set

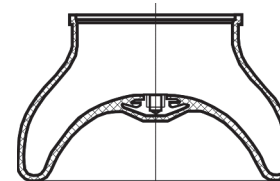


	55x5 ring
	158x133 pressure ring
	158x134x16 lip seal
	50x70x16 lip seal
	Dust seal
	Д50 dust seal



20x38x8 Cameron control panel
pump / rod gland

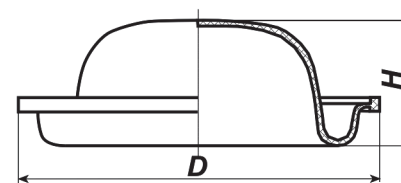
CMRG FOR OIL AND GAS DRILLING EQUIPMENT



1. Spherical rubber diaphragms for
drilling pump pneumatic compensators
(TU 38 105 1096-77)

Description, designation	Drwg. No.	Application	Brief specification
Д20	9Г-06-00.120с6	Reducing pressure fluctuations in positive displacement drilling pumps discharge pipelines	Operating medium: air, oil, caustic, weighting agents (barite, hematite, magnesite). Temperature range: 0 ... +80 °C. Max pressure: 31.5 MPa
Д40	ПК 40/250с6		
Д70	4045.53.267-2с6		

2. Hydropneumatic accumulator diaphragms

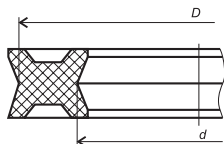


П5.01.04.001	TU 38105844-80	Ensuring BOP's quick closure in case of oil and gas release.	Operating medium: industrial, aviation, instrument, transformer, cylinder oils, nitrogen. Ambient temperature range: -45 ... +55 °C. The element is exposed to multiple cyclic bending. D-700 mm H-295 mm
П26.01.08.001			

CMRG FOR OIL AND GAS DRILLING EQUIPMENT

Casing head seals

Casing heads are designed to suspend the casing string, to seal and control pressure in the annular space between the casing strings.

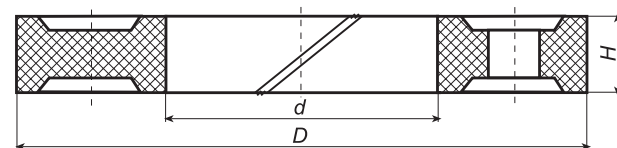


Type 1

Description	Designation	d	D
УКГ-140x230	4ГК-4; TU 381051642-84	140	230
УКГ-140x280	4ГК-5; TU 381051642-84		280
УКГ-146x230	TU 381051642-84	146	230
УКГ-146x280	2ГК-17; TU 381051642-84		280
УКГ-168x230	1ГК5; TU 381051642-84	168	230
УКГ-168x280	1ГК-8; TU 381051642-84		280
УКГ-178x230	TU 381051642-84	178	230
УКГ-178x280	1ГККМ.009; TU 381051642-84		280
УКГ-219x280	TU 381051642-84	219	350
УКГ-219x350	TU 381051642-84		390
УКГ-219x390	TU 381051642-84		425
УКГ-219x425	TU 381051642-84		280
УКГ-245x280	TU 381051642-84	245	350
УКГ-245x350	2ГК3-10; TU 381051642-84		390
УКГ-245x390	TU 381051642-84		425
УКГ-245x425	TU 381051642-84		390
УКГ-273x390	TU 381051642-84	273	425
УКГ-273x425	TU 381051642-84		390
УКГ-299x390	2ГК4-16; TU 381051642-84	299	425
УКГ-299x425	2ГК4-15; TU 381051642-84		390
УКГ-324x390	9ГК-2; TU 381051642-84	324	425
УКГ-324x425	TU 381051642-84		460
УКГ-324x460	TU 381051642-84	340	390
УКГ-340x425	TU 381051642-84		425
УКГ-340x390	TU 381051642-84		500
УКГ-340x425	(2PSS.00.001-01); TU 381051642-84		280
УКГ-340x425	(2PSS.00.001-02); TU 381051642-84	168	280
УКГ-340x500	(2PSS.00.001-04); TU 381051642-84		346
УКГ-168x280	(2PSS.00.001); TU 381051642-84	219	346
УКГ-219x346	(2PSS.00.001-03); TU 381051642-84		

CMRG FOR OIL AND GAS DRILLING EQUIPMENT

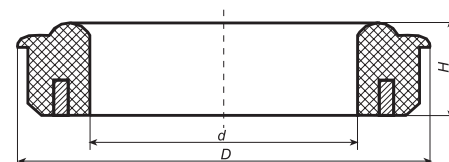
Casing head seals



Type 2

Designation	TU	d	D	H
АФ 6.8.6-70.090.004-01	TU 2539-004-22425964-01		232	45
АФ 6.8.6-70.090.004-04			280	
АФ 6.8.10-70.080.-03-02		170	260	
АФ 6.8.6-70.090.004-02		170.5	280	
АФ 6.8.6-70.090.004-03				
АФ 6.8.10-70.080.-03-01		247	345	
АФ 6.8.6-70.090.004		247.4		
АФ 6.8.10-70.080.-0		327	425	

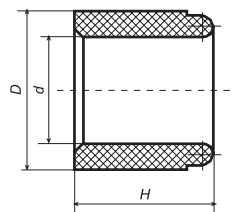
Rubber-metal lip seals



Designation	d	D	H
3Ф2.700-30.000	66.7	77,9	8.2
3Ф2.700-30.000.-04	92.1	103.4	
3Ф3.700-30.000-002			
3Ф4.700-30.000	122.7	133.8	
3Ф3.1P-350.30.000	100.1	110.8	

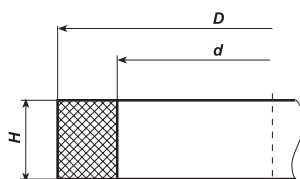
CMRG FOR OIL AND GAS DRILLING EQUIPMENT

Seals



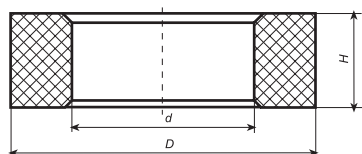
Type 1

Designation	d	D	H
3Φ2.700-30.000	33	47.5	24



Type 2

Designation	d	D	H
220.7x182.6x25.4	182.6	220.7	25.4



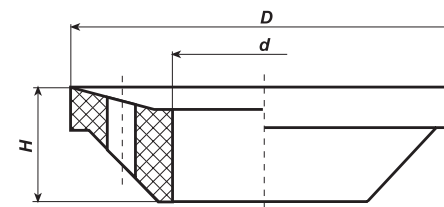
Type 3

Designation	d	D	H
AΦ 6.8.6-70.100.003	140	178.5	35

CMRG FOR OIL AND GAS DRILLING EQUIPMENT

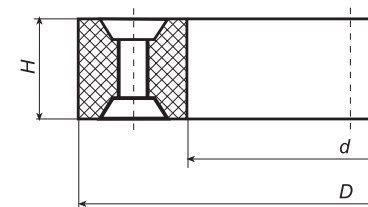
Casing head slip lip seals

Casing head slip lip seals (6 slots)



Designation	d	D	H
176x88.9x50.7	88.9	176	50.7
176x112x40	112		40
226x114.3x63	114.3	226	63

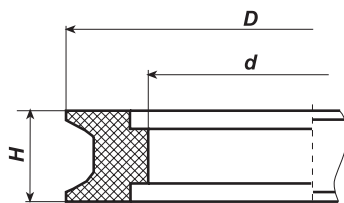
Casing head slip lip seals (12 slots)



Designation	d	D	H
226.2x139.7x37	139.7	345.5	37
276.2x147x36.5	147	276.2	36.5
279.4x177.8x37	177.8	279.4	37
274x178x32	178	274	32
276.2x179.4x36.5	179.4	276.2	36.5
345.5x219.1x37	219.1	226.2	37

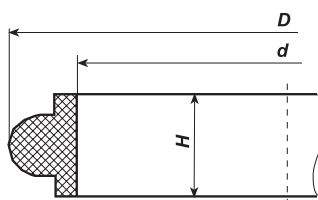
CMRG FOR OIL AND GAS DRILLING EQUIPMENT

Casing head slip lip seals



Designation	d	D	H
164x138x31	138	164	31
167x138.3x23	138.3	167	23
249.5x217.4x21.3	217.4	249.5	21.3
268.6x242.6x21.3	242.6	268.6	
272x242.5x23	242.5	272	23

T seals



Designation	d	D	H
117.5x108x9.5	108.0	117.5	9,5
155.6x142.9x9.5	142.9	155.6	
190.5x177.8x9.5	177.8	190.5	

CMRG FOR OIL AND GAS DRILLING EQUIPMENT

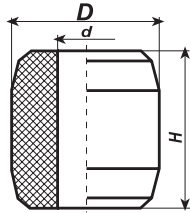
Column seals

	ПДГ 1.00.00.007 damping sub	114x86x16
	ПДГ .00.00.007 damping sub	86x65.5x14
	РК.00.00.011 ЗЦ.00.00.008 V seal	100.6x85,4x8.6 71.6x57.5x7.5
	КАУ.00.00.23 bush	50x45x12
	КАУ.00.00.017 seal	62x50x14
	КГ 25.00.00.022 seal	20x9.4x6
	АЯД 8.683.647 АЯД 8.683.647-01 АЯД 8.687.229 seal	96x76x8.5 70x55.4x7.4



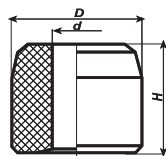
CMRG FOR OIL AND GAS DRILLING EQUIPMENT

Pony packer rubber seals



Type 1

Packer description	Seal designation / Specification	D	d	H
ПВМ-122-50	4ПВМ.001 TU 381051502-88	117	60	130
ПВМ-140-50	4ПВМ.006 TU 381051502-88	136	73	140
	117x65x130	117	65	130



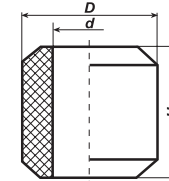
Type 2

Packer description	Seal designation / Specification	D	d	H
ПВМ-122-50	4ПВМ.002 TU 381051502-88	117	60	95
ПВМ-140-50	4ПВМ.007 TU 381051502-88	136	73	110
	117x65x95	117	65	95



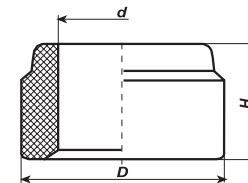
CMRG FOR OIL AND GAS DRILLING EQUIPMENT

Pony packer rubber seals



Type 3

Packer description	TU	D	d	H
ОВЧ17.07.00.003	TU 381051502-88	96	48	70
ПГ21.00.00.022		110	80	90
ПГ35.00.00.016		116	74	94
ЮПД.012-04			75	94
ПДГ.00.00.055		80	90	
ПГ35.00.00.016-01		120	74	94
10ПД.012-05			75	94
ПГ35.10.00.016		139	96	96
ОВЧ17.08.00.003		146	100	70
АЯД8.687.251		147.5	109.5	70
ПДГ1.00.00.043		153	108	94

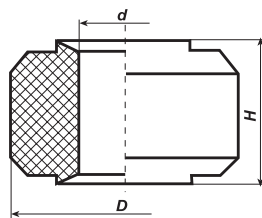


Type 4

Packer description	TU	D	d	H
ПГ21.00.00.023	TU 381051502-88	110	80	65
ПГ35.00.00.015		116	74	
ЮПД.011-27			75	
ПДГ.00.00.056		80		
ПГ35.00.00.015-01		120	74	
ЮПД.011-30			75	
ПГ35.10.00.015		139	96	
ПДП.00.00.044		153	108	70
АЯД8.687.250		147.5	109.5	62

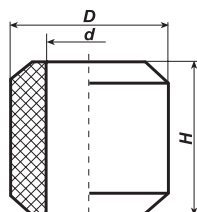
CMRG FOR OIL AND GAS DRILLING EQUIPMENT

Pony packer rubber seals



Type 5

Specification	D	d	H
79.5x119.5x57	119	79.5	57.0
79.5x119.5x66			66.0
105x139.7x58	139.7	105	58
105x139.7x68			68

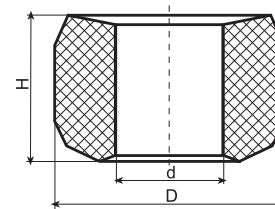


Type 6

Specification	D	d	H
79x118x63	118	79.5	63
89.5x119x51	119	89.5	51
79x120x63	120	79.5	63
53x145x230	145	53	230
53x145x350			350
95x150x50	145	95	50
95.5x150x94	150	95.5	94
53.2x101x94	101	53.2	94

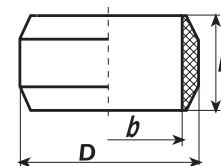
CMRG FOR OIL AND GAS DRILLING EQUIPMENT

Pony packer rubber seals



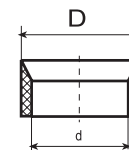
Type 7

Description	Size
ПО -145	75x145x92
ПО -195	91x200x125



Type 8

Description	D	d	H
Packer outer seal	138	112	60

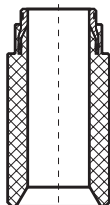


Type 9

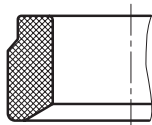
Description	D	d
Packer inner seal	138	112

CMRG FOR OIL AND GAS DRILLING EQUIPMENT

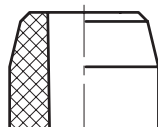
Rubber-metal packer seals



Designation	Size
УПК-1-122-32-01.00СБ	74x122x235
УПК-3-136-16-01.00СБ	98x136x225

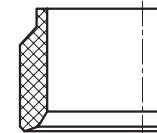


Description	D	d	H
Protection seal	150	95.5	65
	101	95	65



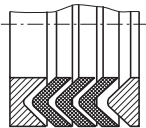
Description	D	d	H
Seal	118	75	68
	138	96	68

CMRG FOR OIL AND GAS DRILLING EQUIPMENT

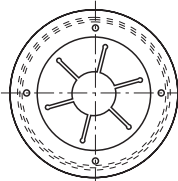


Description	D	d	H
5" Guiberson seal	138.7	108	67

Self-centring polished rod seals

	D 32 rod
--	----------

Pipe wiper

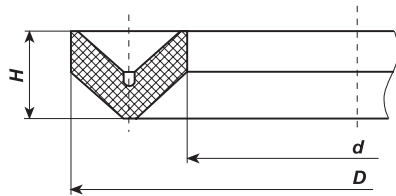
	D - 60 - 114 - 73 - 127 - 89 - 140 - 102 - 146
---	---



CMRG FOR OIL AND GAS DRILLING EQUIPMENT

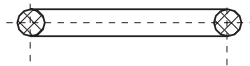
Manifold seals

Manifolds are designed to connect several blowout preventers to control an oil/gas wellhead in the process of oil/gas release elimination.



Description	D	d	H
B3BT manifold lip seal	52	32	8

57x4.6 O-ring



CMRG FOR ISOLATION VALVES, COMPRESSOR AND PIPELINE EQUIPMENT





CMRG FOR ISOLATION VALVES, COMPRESSOR AND PIPELINE EQUIPMENT

Valves, actuators

1	DN 700, PN 80 Ma 39183 - 700 ball valve			
1.1	Ma 39183 - 700ГA valve block assembly	Ring	1	GOST 9833 - 73
		Lip seal	3	GOST 14896 - 84
1.2	MA 39183 - 700БC pump	Ring	9	GOST 9833 - 73
1.3	MA 39176 - 500K actuator	Ring	16	GOST 9833 - 73
		Lip seal	2	GOST 14896 - 84
2	DN 1400, PN 80 Ma 39183 - 1400 ball valve			
2.1	Ma 39183 - 1400A valve block assembly	Ring	1	GOST 9833 - 73
		Lip seal	3	GOST 14896 - 84
2.2	MA 39176 - 1400T actuator	Ring	12	GOST 9833 - 73
		Lip seal	2	GOST 14896 - 84
2.3	MA 39183 - 700БC pump	Ring	9	GOST 9833 - 73
3	DN 1000, PN 80 MA 39096 - 1000 ball valve (phased out)			
3.1	Ma 39096 - 1000A valve block assembly	Lip seal	2	GOST 22704 - 77
3.2	MA 39096 - 1000Д actuator for Ma 39096-1000 valve	Ring	6	GOST 9833 - 73
3.3	MA 39096 – 1200БA batching multiplier for MA 38096 - 1000 valve pneumatic actuator	Ring	7	GOST 9833 - 73
		Lip seal	1	GOST 14896 - 84
3.4	MA 39113M – 300ГA filter for MA 39096 - 1000 valve	Ring	1	GOST 9833 - 73
3.5	MA 39095 – 700ГA relief valve for Ma 39096 - 1000 valve pneumatic actuator	Ring	5	GOST 9833 - 73
4	MK 30005 DN 700/1000 valve			
4.1	Spindle seal	Lip seal	1	GOST 14896 - 84
5	Hand operated hydraulic pump for MA 39183 ball valves			
5.1	Hand operated hydraulic pump for MA 39183, DN 1000, 1200, 1400	Ring	15	GOST 9833 - 73
5.2	Hand operated hydraulic pump for MA 39183, DN 200, 300, 400, 500, 700	Ring	15	GOST 9833 - 73
6	MA 39095 valve			
6.1	MA 39095 DN 700 PN 80 valve (actuator seal)	Ring	14	GOST 9833 - 73
		Lip seal	2	GOST 14896 - 84
7	MA 39112 ball valve (YOM 1992)			
7.1	MA 39112 DN700 ball valve (YOM 1992) (actuator hydraulic cylinder seal)	Ring	4	GOST 9833 - 73
		Lip seal	1	GOST 14896 - 84
7.2	Ma 39183 - 700 DN 700 ball valve (earlier YOM) (actuator hydraulic cylinder seal)	Ring	8	GOST 9833 - 73
		Lip seal	2	GOST 14896 - 84

ПТИ, ИСПОЛЧМРГ FOR ISOLATION VALVES, COMPRESSOR AND PIPELINE EQUIPMENT

Valves, actuators

8	MA 39183 valve			
8.1	MA 39183 DN 400, DN 500 ball valve (actuator seal)	Ring	12	GOST 9833 - 73
		Lip Seal	4	GOST 14896 - 84
8.3	MA 39183 DN 1000 valve (actuator seal)	Ring	18	GOST 9833 - 73
8.4	MA 39183 DN 1200, DN 1400 valve (actuator seal)	Ring	18	GOST 9833 - 73
9	MA 39208 - 050 TO ball valve			
9.1	MA 39208 - 050 TO DN 150 ball valve (actuator seal)	Ring	16	GOST 9833 - 73
9.2	MA 39208 - 050 TO DN 150 ball valve (spindle area and seat seal)	Ring	5	GOST 9833 - 73
10	MA 39002 ball valve			
10.1	MA 39002 - 150.8 DN 150 DN 80 ball valve (ball seat)	Seat	1	
10.2	MA 39002 DN 100 PN 80 ball valve	Lip Seal	2	GOST 14896 - 84
		Ring	1	GOST 9833 - 73
10.3	MA 39002 - 100.4 DN 100 PN 80 ball valve (ball seat)	Seat	1	
10.4	MA 39002 DN 80 PN 80 ball valve	Lip Seal	2	GOST 14896 - 84
		Ring	1	GOST 9833 - 73
10.5	MA 39002 - 080.3 DN 80 PN 80 ball valve (ball seat)	Seat		
10.6	MA 3902 DN 50 PN 80 ball valve	Lip Seal	2	GOST 14896 - 84
		Ring	1	GOST 9833 - 73
10.7	MA 39002 - 050 DN 50 PN 80 ball valve (ball seat)	Seat	1	
10.8	MA 39002 - 050 DN 50, DN 80 TO ball valve (spindle area and seat seal)	Ring	5	GOST 9833 - 73
10.9	MA 39002 - 050 DN 100 TO ball valve (spindle area and seat seal)	Ring	6	GOST 9833 - 73
11	MA 39208 - 050 ball valve			
11.1	MA 39208 - 050 TO DN 100 ball valve (actuator seal)	Ring	4	GOST 9833 - 73
12	MA 39215 - 300 valve			
12.1	MA 39215 - 300 DN 300, PN 80 valve	Lip Seal	2	GOST 14896 - 84
		Ring	1	GOST 9833 - 73
13	MA 39003 - 300 valve			
13.1	MA 39003 - 300 DN 300 valve (actuator seal)	Ring	14	GOST 9833 - 73
14	MA 39002 - 300 valve			
14.1	MA 39002 - 300 DN 300 valve (actuator seal)	Ring	12	GOST 9833 - 73
15.2	MA 39183 DN 300 valve (actuator seal)	Ring	12	GOST 9833 - 73

CMRG FOR ISOLATION VALVES, COMPRESSOR AND PIPELINE EQUIPMENT

Valves, actuators

15	MA 39183 valve			
15.1	MA 39183 DN 200 valve (actuator seal)	Ring	12	GOST 9833 - 73
16	DN 300 PN 80 ball valve			
16.1	PN 80 (31.250.000. TO-ШС) DN300 (actuator seal)	Ring	16	GOST 9833 - 73
16.2	PN 80 (31.250.000. TO-ШС) DN 300 (hydraulic pump seal)	Ring	9	GOST 9833 - 73
17	MB 39183 valve			
17.1	MB 39183-1000 DN 1000 valve (spindle area seal)	Lip Seal	2	GOST 14896 - 84
		Ring	1	GOST 9833 - 73
17.2	MB 39183-300 DN 300 valve (spindle area seal)	Lip Seal	2	GOST 14896 - 84
		Ring	1	GOST 9833 - 73
17.3	MB 39183-700 DN 700 valve (spindle area seal)	Lip Seal	2	GOST 14896 - 84
		Ring	1	GOST 9833 - 73
17.4	MA 39183 DN 300 valve (actuator seal)	Ring	17	GOST 9833 - 73
17.5	MA 39183 DN 700 valve (actuator seal)	Ring	17	GOST 9833 - 73
17.6	MA 39183 DN 1000 valve (actuator seal)	Ring	16	GOST 9833 - 73
17.7	MB 39183 DN 300 PN 8 MPa (hydraulic pump seal)	Ring	9	GOST 9833 - 73
17.8	MB 39183 DN 700, DN 1000 (hydraulic pump seal)	Ring	11	GOST 9833 - 73
18	DN200 valve			
18.1	DN200, PN 8 MPa valve (spindle seal)	Lip Seal 140x120	1	GOST 14896 - 84
19	B5 Grove ball valve			
19.1	B5 DN 300 Grove ball valve	Ring	10	
19.2	OGK 1 – 135 actuator, 135/260/40 and 135/167/30 hydraulic cylinder (hydraulic cylinder seal)	Ring	4	GOST 9833 - 73
19.3	B5 DN 450 Grove valve (spindle area seal)	Ring	4	GOST 9833 - 73
		Cord	2	
19.4	B5 DN 500 Grove valve (spindle area seal)	Ring	4	GOST 9833 - 73
		Cord	2	
19.5	B5 DN 600 Grove valve (spindle area seal)	Ring	4	
19.6	B5 DN 1000 Grove valve (spindle area seal)	Ring	3	
19.7	10/2-235 DN 1000 Grove actuator (hydraulic cylinder seal)	Ring	4	GOST 9833 - 73
19.8	OGK 10/320/40" COD280/640-60°C			
19.9	OGK 10/270/40" COD280/540-40°C	Ring	3	GOST 9833 - 73
19.10	B5 DN 1200 Grove valve (spindle area seal)	Ring	4	
19.11	B5 DN 300 PN 75 Grove valve	Ring	13	

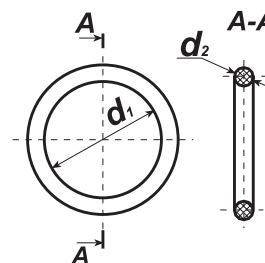
CMRG FOR ISOLATION VALVES, COMPRESSOR AND PIPELINE EQUIPMENT

Valves, actuators

20	Nico Grove		
20.1	Nico Grove DN 300	Ring	12
		Lip seal	2
20.2	Nico Grove DN1000 (spindle area seal)	Lip seal	1
		Ring	4
20.3	Nico Grove DN1000 (hydraulic cylinder seal)	Lip seal	6
		Ring	4
20.4	Nico Grove DN 1400 (hydraulic cylinder seal)	Lip seal	6
21	Co Du Tarn DN 300 valve		
21.1	DN 300 valve	Lip seal	1
		Ring	6
21.2	DN 300 valve (hydraulic cylinder seal)	Lip seal	3
		Ring	2
21.3	DN 500 valve (hydraulic cylinder seal)	Lip seal	3
		Ring	2
21.4	DN 1200 valve (actuator seal)	Ring	1

CMRG FOR ISOLATION VALVES, COMPRESSOR AND PIPELINE EQUIPMENT

FLEXIBOX mechanical seal O-ring



d_1 – ring inside diameter

d_2 – ring cross-section diameter

Dimensions, mm		Dimensions, mm		Dimensions, mm		Dimensions, mm	
d_1	d_2	d_1	d_2	d_1	d_2	d_1	d_2
4.65	1.78	93.8	2.62	74.22	3.53	92.8	5.33
9.25	1.78	131.35	2.62	75.6	3.53	99.5	5.33
10.82	1.78	175.0	2.62	75.79	3.53	104.14	5.33
12.42	1.78	196.3	2.62	82.14	3.53	113.66	5.33
12.6	1.78	14.07	3.53	83.5	3.53	116.84	5.33
14.0	1.78	17.04	3.53	85.32	3.53	120.02	5.33
16.8	1.78	18.64	3.53	88.0	3.53	129.54	5.33
25.12	1.78	20.22	3.53	94.84	3.53	132.72	5.33
31.47	1.78	21.82	3.53	101.19	3.53	134.0	5.33
69.57	1.78	22.0	3.53	104.37	3.53	135.9	5.33
9.19	2.62	24.99	3.53	107.54	3.53	139.07	5.33
10.8	2.62	25.0	3.53	110.72	3.53	142.24	5.33
11.56	2.62	26.58	3.53	113.89	3.53	144.5	5.33
12.37	2.62	29.73	3.53	117.07	3.53	145.42	5.33
14.5	2.62	31.32	3.53	120.34	3.53	163.0	5.33
15.65	2.62	34.6	3.53	123.42	3.53	180.4	5.33
17.12	2.62	36.09	3.53	128.9	3.53	183.52	5.33
18.0	2.62	37.69	3.53	132.94	3.53	190.0	5.33
20.29	2.62	40.87	3.53	136.18	3.53	210.0	5.33
21.89	2.62	42.0	3.53	140.2	3.53	291.47	5.33
23.47	2.62	44.04	3.53	158.34	3.53	405.26	5.33
26.64	2.62	45.63	3.53	165.25	3.53	18.2	5.33
28.2	2.62	50.4	3.53	171.04	3.53	86.0	6.99
32.99	2.62	51.99	3.53	190.09	3.53	145.42	6.99
37.77	2.62	53.58	3.53	202.79	3.53	148.59	6.99
38.0	2.62	55.17	3.53	140.89	3.53	164.47	6.99
43.8	2.62	56.76	3.53	191.69	3.53	192.53	6.99
45.69	2.62	59.53	3.53	79.0	5.33	203.4	6.99
48.9	2.62	62.87	3.53	85.09	5.33	227.97	6.99
55.25	2.62	63.5	3.53	86.4	5.33	291.47	6.99
65.4	2.62	65.85	3.53	88.27	5.33	380.37	6.99
75.87	2.62	69.44	3.53	90.4	5.33	481.46	6.99
82.8	2.62	72.62	3.53	91.44	5.33	506.86	6.99



CMRG FOR ISOLATION VALVES, COMPRESSOR AND PIPELINE EQUIPMENT

O-rings for Russian equipment mechanical seals

Dimensions, mm		Dimensions, mm		Dimensions, mm		Dimensions, mm	
d ₁	d ₂	d ₁	d ₂	d ₁	d ₂	d ₁	d ₂
3.0	1.4	218.0	3.0	80.0	4.6	479.3	5.7
12.7	1.5	227.5	3.0	90.0	4.6	48.0	5.8
16.5	1.5	41.3	3.1	100.0	4.6	48.5	5.8
17.4	1.5	15.9	3.2	205.0	4.6	53.0	5.8
19.0	1.5	50.0	3.2	210.0	4.6	58.5	5.8
20.6	1.5	38.0	3.3	78.0	5.2	86.5	5.8
25.5	1.5	166.5	3.3	85.0	5.2	90.0	5.8
47.6	1.5	40.0	3.6	95.0	5.2	130.0	5.8
28.6	1.6	50.0	3.6	103.0	5.2	140.5	5.8
34.9	1.6	60.0	3.6	129.5	5.3	201.0	5.8
36.5	1.6	75.5	3.6	291.0	5.3	290.0	5.8
3.8	1.7	81.5	3.6	294.0	5.3	294.5	5.8
4.0	1.7	120.0	3.6	298.0	5.3	325.0	5.8
40.0	1.9	129.0	3.6	665.0	5.3	460.0	5.8
68.5	1.9	132.5	3.6	60.0	5.4	65.0	6.0
3.8	2.0	134.0	3.6	147.5	5.0	67.0	6.0
5.8	2.0	139.0	3.6	36.0	5.5	71.0	6.0
8.0	2.0	144.0	3.6	37.0	5.5	75.0	6.0
16.0	2.0	167.0	3.6	40.0	5.5	78.5	6.0
20.0	2.0	195.5	3.6	44.0	5.5	205.0	62.0
24.0	2.0	260.0	3.6	45.0	5.5	233.0	63.0
26.0	2.0	275.0	3.6	47.0	5.5	330.0	63.0
32.5	2.2	19.5	4.0	48.0	5.5	398.0	63.0
20.6	2.4	21.5	4.0	49.0	5.5	78.5	6.5
46.0	2.4	32.0	4.0	51.0	5.5	140.0	6.5
68.3	2.4	34.0	4.0	53.0	5.5	145.0	6.5
10.2	2.5	40.0	4.0	59.0	5.5	140.0	6.5
18.0	2.5	42.0	4.0	63.0	5.5	140.0	6.7
21.0	2.5	52.0	4.0	65.5	5.5	75.0	7.0
30.0	2.5	53.0	4.0	68.0	5.5	116.85	7.0
36.0	2.5	69.5	4.0	68.5	5.5	123.0	7.0
94.5	2.5	88.5	4.0	70.0	5.5	170.0	7.0
184.5	2.5	90.5	4.0	72.5	5.5	215.0	7.0
5.8	2.6	130.0	4.0	78.0	5.5	217.0	7.0
7.3	2.6	147.5	4.0	78.5	5.5	700.0	7.0
4.6	2.7	198.0	4.0	81.0	5.5	137.7	7.3
9.2	2.8	210.5	4.0	81.5	5.5	148.5	7.5
14.5	3.0	230.5	4.0	83.5	5.5	150.0	8.5



CMRG FOR ISOLATION VALVES, COMPRESSOR AND PIPELINE EQUIPMENT

O-rings for Russian equipment mechanical seals

Dimensions, mm		Dimensions, mm		Dimensions, mm		Dimensions, mm	
d ₁	d ₂	d ₁	d ₂	d ₁	d ₂	d ₁	d ₂
42.5	3.0	235.0	4.0	85.0	5.5	485.0	8.5
46.0	3.0	240.0	4.0	85.5	5.5	565.0	8.5
48.5	3.0	245.0	4.0	88.0	5.5	630.0	8.5
50.0	3.0	280.0	4.0	88.5	5.5	760.0	8.5
52.0	3.0	294.5	4.0	90.5	5.5	191.5	9.5
54.0	3.0	304.5	4.0	91.0	5.5	373.5	9.5
65.0	3.0	319.5	4.0	92.4	5.5	306.0	10.0
71.5	3.0	25.0	4.1	95.0	5.5	365.0	10.0
73.0	3.0	34.0	4.1	96.2	5.5	403.0	10.0
75.0	3.0	46.8	4.1	98.0	5.5	408.0	10.0
101.0	3.0	47.0	4.1	100.5	5.5	573.0	10.0
106.5	3.0	28.0	4.5	118.0	5.5	710.0	10.0
110.75	3.0	72.0	4.5	130.0	5.5	726.0	10.0
116.0	3.0	28.0	4.6	180.0	5.5	794.0	10.0
120.0	3.0	71.17	4.6	225.0	5.5	88.0	12.0
125.0	3.0	71.5	4.6	359.2	5.7	593.5	14.0

Compressor seals

Dimensions d ₁ x d ₂ , mm	Application
1525x16	H-498 blower
1425x16	H-398
1335x16	H-370
1200x16	H-650
710x8	Replaceable flow part
690x8	
410x8	



CMRG FOR ISOLATION VALVES, COMPRESSOR AND PIPELINE EQUIPMENT

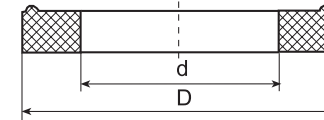
Centrifugal oil pump mechanical seal O-rings

Dimensions, mm		Dimensions, mm		Dimensions, mm		Dimensions, mm	
d ₁	d ₂	d ₁	d ₂	d ₁	d ₂	d ₁	d ₂
19.5	3.5	108.0	3.5	79.0	5.0	128.0	5.0
21.0	3.5	110.0	3.5	80.0	5.0	130.0	5.0
28.0	3.5	115.0	3.5	81.5	5.0	130.5	5.0
30.0	3.5	128.0	3.5	84.0	5.0	135.0	5.0
34.0	3.5	130.0	3.5	85.0	5.0	138.0	5.0
40.0	3.5	720.0	5.0	595.0	5.0	140.0	5.0
41.0	3.5	160.0	3.5	85.5	5.0	150.0	5.0
42.0	3.5	162.0	3.5	86.5	5.0	165.0	5.0
43.0	3.5	42.0	5.0	87.0	5.0	190.0	5.0
44.0	3.5	46.0	5.0	88.0	5.0	195.0	5.0
45.0	3.5	52.0	5.0	88.5	5.0	198.0	5.0
52.0	3.5	53.0	5.0	89.0	5.0	200.0	5.0
53.0	3.5	54.0	5.0	90.0	5.0	202.0	5.0
54.0	3.5	55.0	5.0	92.0	5.0	205.0	5.0
58.0	3.5	58.0	5.0	95.0	5.0	207.0	5.0
59.0	3.5	59.0	5.0	97.0	5.0	210.0	5.0
60.0	3.5	60.0	5.0	98.0	5.0	220.0	5.0
63.0	3.5	112.0	5.0	100.0	5.0	230.0	5.0
64.0	3.5	63.0	5.0	102.0	5.0	245.0	5.0
69.0	3.5	64.0	5.0	105.0	5.0	260.0	5.0
70.0	3.5	65.0	5.0	107.0	5.0	270.0	5.0
70.4	3.5	68.0	5.0	110,0	5.0	284.0	5.0
72.0	3.5	69.0	5.0	113,5	5.0	285.0	4.0
78.0	3.5	70.0	5.0	115,0	5.0	290.0	5.0
85.0	3.5	70.5	5.0	115.5	5.0	295.0	5.0
88.0	3.5	73.5	5.0	118.0	5.0	300.0	5.0
90.0	3.5	75.0	5.0	120.0	5.0	320.0	5.0
92.0	3.5	76.5	5.0	125.0	5.0	327.0	5.0
94.0	3.5	78.0	5.0	540.0	5.0	355.0	5.0
102.0	3.5	78.5	5.0	127.5	5.0	385.0	5.0



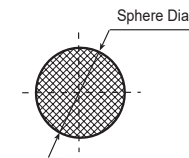
CMRG FOR ISOLATION VALVES, COMPRESSOR AND PIPELINE EQUIPMENT

Valve seals



Description	D	d
Valve seat seal	58.2	34.8
	101.7	63.2

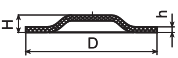
Balls



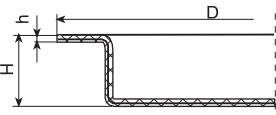
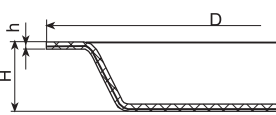
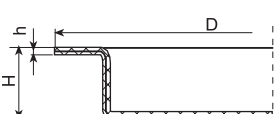
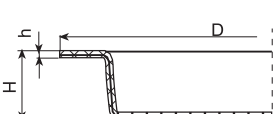
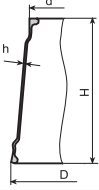

D
22.5
28.6
47.8
63.8
83

CMRG FOR ISOLATION VALVES, COMPRESSOR AND PIPELINE EQUIPMENT

Rubber-textile membrane

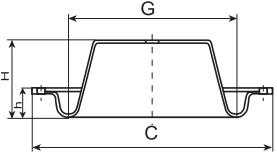
	243x32x7	TAC 039.00.00.01 TAC
	330x50x9	039.00.00.01-01 TAC
	240x50x9	039.00.00.01-02

Rubber-textile membranes

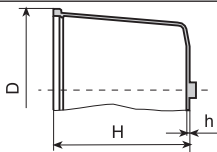
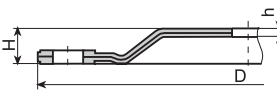
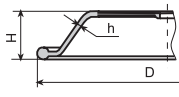
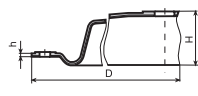
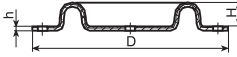
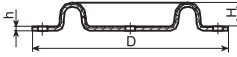
	NX-1 valve membrane	192x33.2x1.2
	NX-2 valve membrane	308x55x1.4
	NX-3 valve membrane	421x75x1.45
	51TV073 valve membrane	415x60x1.8
	1200/RJCV-830 regulator valve membrane	480x140x425x1.5
	Membrane	470x52x1.5

CMRG FOR ISOLATION VALVES, COMPRESSOR AND PIPELINE EQUIPMENT

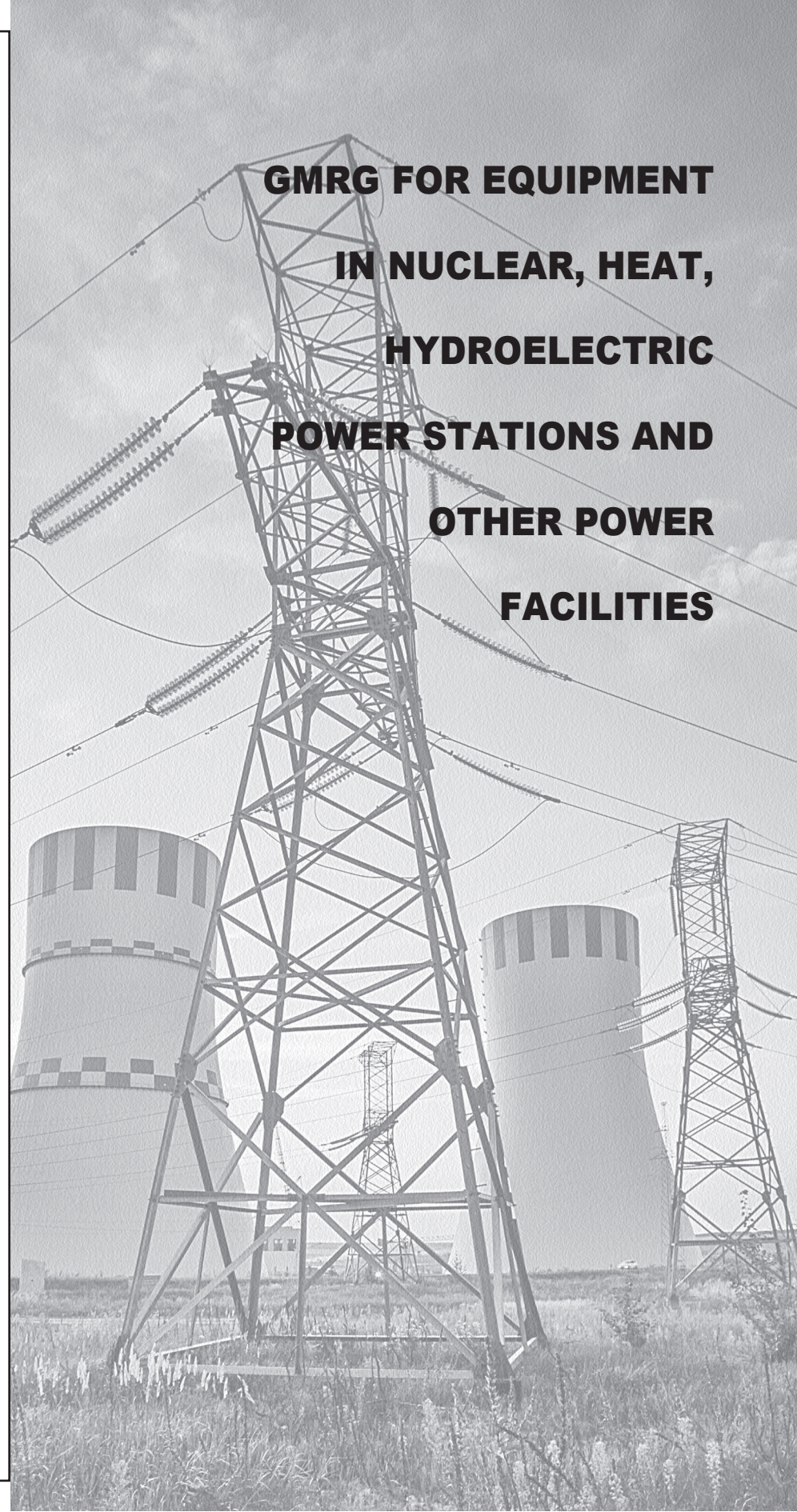
Eckardt sandwich-type rubber-textile membrane

	C	G	H	h
	182	130	15	3
	258	180		
	284	205	25	8
	340	250	34	11
	398	305	40	13
	488	380	60	20
	570	455	77	26

Rubber-textile diaphragms

	ДКС 00.003 diaphragm	109x90x1
	LPCV-3.573.52 valve diaphragm	170x12x3
	Diaphragm	220x40x3.5
	AZ 82013000 valve diaphragm	520x60x40
	Membrane	66x5x1
	Membrane	110x5x1
	KM-0000-06 upper diaphragm	392x16.3x3.3-35
	KM-0000-07 lower diaphragm	392x16.3x3.3-33

**GMRG FOR EQUIPMENT
IN NUCLEAR, HEAT,
HYDROELECTRIC
POWER STATIONS AND
OTHER POWER
FACILITIES**





GMRG FOR EQUIPMENT IN NUCLEAR, HEAT, HYDROELECTRIC POWER STATIONS AND OTHER POWER FACILITIES

Lip seals for KIDs

KID-150 lip seal	H 2209.00.00.01
KID-200 lip seal	H 2209.00.00.02
KID-250 lip seal	H 2209.00.00.03
KID-300 lip seal	H 2209.00.00.04
KID-350 lip seal	H 2209.00.00.05
KID-400 lip seal	H 2209.00.00.06
KID-500 lip seal	H 2209.00.00.07

YM, OM strips

20x12	GOST 12855-77
20x8	
24x10	
30x16	
30x12	
16x24	

GMRG FOR NUCLEAR POWER PLANT EQUIPMENT

Liners

5x2000x2000 МБС	GOST 12855-77
4x2000x2000 UM sheet	
10x2000x2000 UM sheet	
12x2000x2000 UM sheet	
16x2000x2000 UM sheet	
8x2000x2000 UM sheet	
6x2000x2000 UM sheet	
1x860 UM roll	
2x860 UM roll	
3x860 UM roll	
4x860 UM roll	
3x500x500 UM sheet	
5x500x500 UM sheet	

Other seals

Ring	TAC 0075.00.01. 03
Transport hatch seal	3400.01.00.005-01
DN 1600 valve seal	H 1934.00.00.00
Thermostat sleeve	H 22.47.0000.01
Thermostat coupling	H 22.47.0000.02
Bellows	M-1014631

GMRG FOR NUCLEAR POWER PLANT EQUIPMENT

Resilient bushes

МУВП 1-25/5
МУВП 1-40/5
МУВП 1-70/5

МУВ П1-100 ТУ 38.105-1835-88 tapered plugs

Size \varnothing , mm	Size \varnothing , mm
10.0	24.0
12.5	29.0
14.0	34.5 (32)
16.0	45.0
19.0	7.55

ПТА 3750-75 ТУ 38 105 1325-2001 pump

150x5 ring	ТУ 38 105 1325-2001
165x5 ring	
230x5 ring	
320x5 ring	
595x5 ring	
720x5 ring	
690x5 ring	
210x5 ring	
160-170-58 ring 350-360-58 ring	GOST 9833-73

ПТА 3800-200 pump

114-120-36 ring 290-300-58 ring	GOST 9833-73
115x6 ring 165x6 ring 355x6 ring	ТУ 38 105 1325-2001



GMRG FOR NUCLEAR POWER PLANT EQUIPMENT

KcBA 630-125 pump

82x5 ring
35x5 ring
260x5 ring
385x5 ring
690x8 ring
685x10 ring
895x10 ring

KcBA 360-160 pump

187x5 ring
290x5 ring
750x5 ring
870x5 ring
210x8 ring
540x10 ring
82x5 ring
380x5 ring

KcBA 200-220 pump

82x5 ring
8210x5 ring
230x5 ring
380x5 ring
540x5 ring
870x5 ring
130x5 ring

KcBA 125-55 pump

46x3 ring
86x3 ring
210x5 ring
290x5 ring
355x5 ring
385x5 ring

KcA 1500-240 pump

82x5 ring
115x5 ring
130x5 ring
142x5 ring

KcA 1500-120 pump

115x5 ring
142x5 ring



GMRG FOR NUCLEAR POWER PLANT EQUIPMENT

ПЭА 150-85 СТП 86.75, ЦН 150-90Г pump

82x5 ring	TU 38 105 1325-2001
86x5 ring	
115x5 ring	
142x5 ring	
260x5 ring	
385x5 ring	
085-091-36 ring	GOST 9833-73

ПЭН 150-85 pump (Yugoslavia)

21.2x5.7 ring	TU 38 105 1325-2001
124.2x5.7 ring	
104.2x3 ring	
15.2x2.3 ring	
139.2x5.7 ring	
159.2x5.7 ring	
359.2x5.7 ring	
74.2x3 ring	
479.3x5.7 ring	
101x107.5x3.5 ring	
104x113x3.5 ring	
137x14x4.5 ring	
101x107.8x3.5 ring	GOST 9833-73
104-110-36 ring	
135-145-46 ring	
100-106-36 ring	
102-108-36 ring	
140-145-36 ring	
110-116-36 ring	
109-115-36 ring	



GMRG FOR NUCLEAR POWER PLANT EQUIPMENT

Ш25-25-3.6/4.6 pump

022-028-36 ring	GOST 9833-73
028-034-36 ring	

MB 60-490 pump

088-094-36 ring	GOST 9833-73
-----------------	--------------

ЦНЧМ 38-132 pump

1.2-50x70-1 armoured lip seal	GOST 8752-79
----------------------------------	--------------

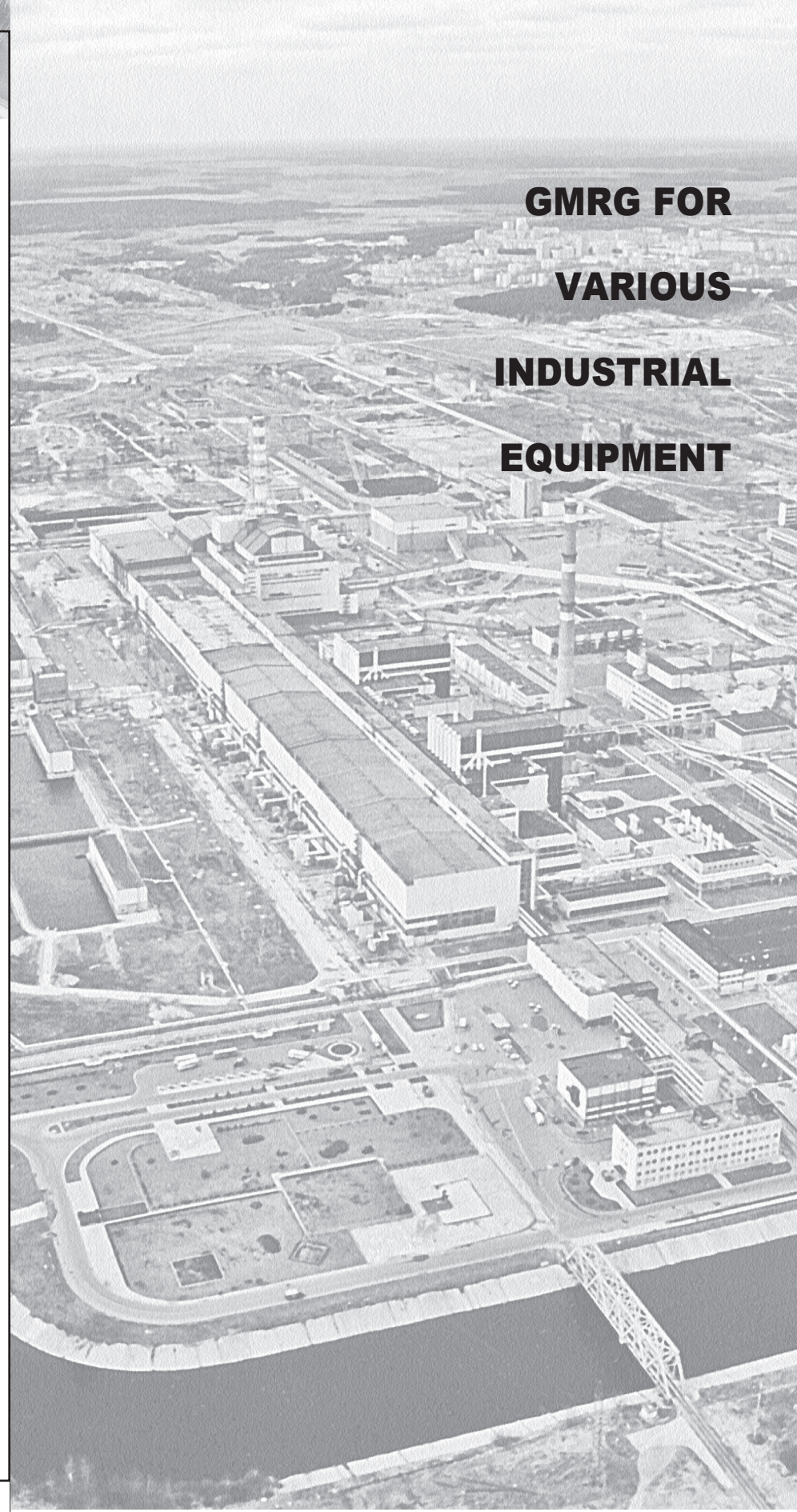
5 HK 5x1 pump

042-050-40 ring	GOST 9833-73
-----------------	--------------

HP 1250-32 pump

080-058-30 ring	GOST 9833-73
075-080-30 ring	
030-035-30 ring	
040-045-36 ring	
140-145-36 ring	
265-280-85 ring	
070-075-30 ring	GOST 8752-79
1.2-120x150-1 lip seal	

GMRG FOR VARIOUS INDUSTRIAL EQUIPMENT





GMRG FOR VARIOUS INDUSTRIAL EQUIPMENT

GOST 9833-73 O-rings

003-006-19	030-036-36	055-063-46	082-092-58
004-007-19	030-038-46	055-065-58	085-090-25
005-007-14	032-036-25	056-060-25	085-090-30
005-009-25	032-037-30	056-062-36	085-091-36
006-009-19	032-038-36	058-064-36	085-092-46
007-010-19	032-040-46	058-066-46	085-095-58
008-012-25	034-042-46	060-065-30	086-091-36
009-012-19	035-040-30	060-066-36	086-092-36
009-013-25	035-041-36	060-068-46	088-094-36
010-014-25	035-041-36	060-070-58	088-095-46
010-015-30	035-043-46	062-066-25	090-095-30
011-014-19	036-040-25	062-068-36	090-096-36
012-016-25	036-041-30	062-070-46	090-098-46
012-016-25	036-042-36	063-068-30	090-100-58
012-017-30	036-044-46	063-069-36	092-098-30
014-017-19	037-045-46	063-073-58	092-098-36
014-018-25	038-042-30	064-068-25	092-100-46
015-018-19	038-044-36	064-070-36	092-102-58
015-019-25	038-046-46	064-072-46	094-100-36
015-020-30	039-045-36	065-070-25	095-100-30
016-020-25	040-043-19	065-070-30	095-102-46
017-020-19	040-045-30	065-072-36	096-102-36
017-021-25	040-046-36	065-075-58	098-104-36
018-021-19	040-048-46	066-072-36	099-105-36
018-022-25	042-048-36	068-074-36	100-106-36
018-023-30	042-050-46	068-076-46	100-108-46
018-024-36	044-050-36	068-078-58	100-110-58
019-022-19	044-052-46	070-075-25	102-108-30
019-023-25	045-049-25	070-075-30	102-108-36
019-025-36	045-050-30	070-076-36	102-110-46
020-024-25	045-051-36	070-078-46	102-112-58
020-025-30	045-053-46	070-080-46	104-110-36
020-026-36	046-050-25	070-080-58	105-111-36
021-024-19	046-052-36	071-081-58	105-115-58
022-027-30	047-055-46	072-078-36	108-112-30
022-028-36	048-052-30	074-080-36	109-115-36
023-028-30	048-054-36	074-082-46	110-116-36
024-028-25	048-056-46	075-080-30	110-118-46
024-029-30	049-055-36	075-081-36	110-120-58
024-030-36	050-055-30	075-083-46	112-118-30
025-029-25	050-058-46	075-085-58	112-118-36
025-030-30	050-060-58	076-082-36	112-120-36
026-030-25	051-055-25	077-085-46	112-120-46
026-032-36	052-058-30	078-088-58	112-122-58
028-032-25	052-058-36	080-085-30	114-120-36
028-034-36	052-060-46	080-086-36	115-120-30
028-036-46	053-063-58	080-090-58	115-121-36
029-035-36	054-060-36	082-088-30	115-122-46
030-035-30	055-060-30	082-090-46	115-125-58



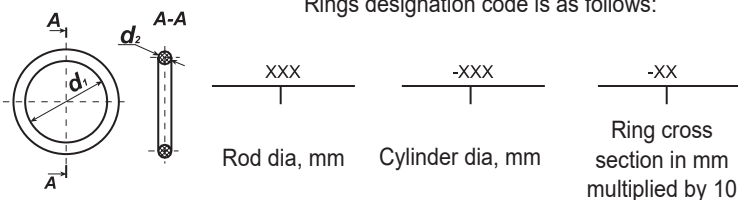
GMRG FOR VARIOUS INDUSTRIAL EQUIPMENT

GOST 9833-73 O-rings

118-125-46	145-155-58	190-200-46	255-270-85
120-126-36	145-160-85	190-200-58	260-270-58
120-130-58	150-155-25	195-205-58	260-275-85
122-130-46	150-155-36	200-210-58	265-280-85
125-130-30	150-160-58	205-215-46	275-285-58
125-130-36	155-160-36	205-215-58	285-300-85
125-135-46	155-165-58	210-220-58	290-300-58
125-135-58	155-172-85	210-225-85	295-305-58
130-135-36	155-170-85	215-225-58	300-315-85
130-140-46	160-165-30	220-235-85	305-320-85
130-140-58	160-165-36	225-230-36	320-335-85
130-142-75	160-170-58	225-235-58	330-340-58
135-140-25	165-175-58	225-240-85	350-360-58
135-140-30	170-175-30	230-240-58	360-375-85
135-140-36	170-175-36	235-245-58	365-380-85
135-145-46	170-180-46	235-250-85	380-390-58
135-145-58	170-180-58	240-250-46	385-400-85
140-145-25	175-180-36	240-250-58	390-400-58
140-145-36	175-185-58	240-255-85	390-405-85
140-150-46	180-185-36	245-255-58	500-510-58
140-150-58	180-190-58	250-255-36	360-370-58
140-155-85	185-195-58	250-260-46	042-050-46
145-150-36	185-200-85	250-260-58	009-013-25
088-098-58	108-115-46	020-025-30	033-038-30
042-050-46	125-138-75	029-035-36	013-017-25
170-180-46	175-185-46	014-019-30	012-016-25
037-045-46	027-033-36	010-013-19	028-031-19
030-034-25	088-098-58	018-021-19	027-031-25
068-072-25	105-110-30	025-030-30	021-025-25
022-025-19	010-014-25	007-010-19	016-022-36
080-085-46	330-340-58	025-031-30	112-120-46
150-160-46	004-007-19	082-090-46	031-036-30
140-150-58	042-046-25	095-102-46	017-020-19
045-051-36	011-014-19		

GOST 9833-73 O-rings

Rings designation code is as follows:



GMRG FOR VARIOUS INDUSTRIAL EQUIPMENT

Other rubber O-Rings

d_2	d_1	d_2	d_1	d_2	d_1	d_2	d_1
1.2	10	1.9	5.7	2.5	11	2.62	37.77
1.2	32	1.9	6.7	2.5	11.6	2.62	45.69
1.4	2.6	1.9	9.2	2.5	15.6	2.62	48.9
1.4	3	1.9	9.2	2.5	17.5	2.62	131.35
1.5	3	1.9	10.6	2.5	18	2.65	65.4
1.5	6	1.9	14.6	2.5	18.5	2.65	75.87
1.5	12.7	1.9	21.16	2.5	19.5	2.65	175
1.5	16.5	1.9	39.7	2.5	21.5	2.7	4.6
1.5	17.4	2	3	2.5	22.5	2.7	22.6
1.5	19	2	3.8	2.5	27.5	2.7	38
1.5	20.6	2	4	2.5	31	2.7	79.1
1.5	25.5	2	4.4	2.5	32	2.7	104.6
1.5	47.6	2	5	2.5	35	2.7	148
1.6	6.45	2	6	2.5	36	2.8	9.2
1.6	14	2	7	2.5	40	2.8	12
1.6	19.5	2	7.5	2.5	60	2.8	15
1.6	25.4	2	8	2.5	61	2.8	15.8
1.6	28.6	2	10	2.5	62	2.8	16.4
1.6	33.4	2	11.8	2.5	62.4	2.8	17
1.6	34.9	2	13.6	2.5	63	2.8	53.8
1.6	36.5	2	14	2.5	63.5	2.8	58.8
1.6	44.4	2	16	2.5	65	3	4
1.7	7.6	2	17	2.5	69.5	3	6
1.7	9.3	2	20	2.5	80.5	3	6.5
1.7	15.6	2	24	2.5	85.5	3	17.5
1.7	17.6	2	26	2.5	184.5	3	19
1.7	21	2	30	2.6	5.8	3	21.5
1.7	44.2	2	34.4	2.6	6.8	3	26
1.78	4.6	2	40	2.6	7.3	3	30
1.78	9.25	2	45.2	2.6	7.6	3	41.6
1.78	10.82	2	48.4	2.6	14.5	3	46
1.78	12.6	2	68	2.6	21.9	3	46.3
1.78	31.47	2	72.7	2.6	26.6	3	50
1.8	7.6	2	78	2.6	38	3	54
1.8	9.2	2	83.5	2.6	55.2	3	56
1.8	9.5	2	88	2.6	93.8	3	58
1.8	12.4	2.4	15	2.62	9.19	3	60
1.8	14	2.4	20.2	2.62	10.8	3	68
1.8	25.1	2.4	20.6	2.62	11.56	3	70
1.8	32.5	2.4	21.2	2.62	12.37	3	73
1.8	35	2.4	27.2	2.62	15.65	3	80
1.8	69.5	2.4	30	2.62	17.12	3	85.5
1.8	106	2.4	46	2.62	18	3	86
1.9	3	2.4	53.5	2.62	20.29	3	90.5
1.9	3.8	2.4	68.3	2.62	23.47	3	93
1.9	4.7	2.5	10	2.62	32.99	3	100



GMRG FOR VARIOUS INDUSTRIAL EQUIPMENT

Other rubber O-Rings

d ₂	d ₁	d ₂	d ₁	d ₂	d ₁	d ₂	d ₁
3	104	3.5	23	3.5	108	3.53	56.76
3	104.2	3.5	25	3.5	110	3.53	59.53
3	109	3.5	28	3.5	113	3.53	63.5
3	110.75	3.5	30	3.5	114	3.53	65.8
3	116	3.5	31	3.5	115	3.53	69.44
3	156.5	3.5	33	3.5	115.6	3.53	75.6
3	166.5	3.5	33.8	3.5	128	3.53	75.79
3	195.6	3.5	34	3.5	130	3.53	82.14
3	280	3.5	36.4	3.5	131	3.53	83.5
3	457	3.5	40	3.5	133.5	3.53	88
3	528	3.5	41	3.5	145.5	3.53	104.37
3.1	41.3	3.5	42	3.5	155.6	3.53	110.72
3.1	118	3.5	43	3.5	158	3.53	113.9
3.15	161.9	3.5	44	3.5	160	3.53	117.07
3.2	15.9	3.5	45	3.5	162	3.53	128.9
3.2	20	3.5	50	3.5	163	3.53	132.94
3.2	40	3.5	52	3.5	176	3.53	136.1
3.2	43.6	3.5	53	3.5	184	3.53	158.34
3.2	48.6	3.5	54	3.5	184.6	3.53	171
3.2	50	3.5	56	3.5	185	3.53	202.79
3.3	14.1	3.5	57.4	3.5	190	3.53	240.89
3.3	29.2	3.5	58	3.5	191	3.53	291.69
3.3	41.8	3.5	59	3.5	193	3.6	7.5
3.3	60	3.5	60	3.5	195	3.6	19
3.3	70	3.5	61	3.5	196.5	3.6	19.5
3.3	76.3	3.5	62	3.5	213	3.6	20.6
3.3	80	3.5	63	3.5	272	3.6	24
3.3	88.8	3.5	64	3.5	290	3.6	25
3.3	90	3.5	69	3.53	14.07	3.6	25.5
3.3	107.3	3.5	70.4	3.53	17.04	3.6	27.8
3.3	110.8	3.5	72	3.53	18.64	3.6	28.5
3.3	115	3.5	74.1	3.53	20.22	3.6	29.3
3.3	120	3.5	74.4	3.53	21.82	3.6	29.5
3.3	124	3.5	74.5	3.53	22	3.6	30
3.3	134	3.5	78	3.53	24.9	3.6	31
3.3	141.5	3.5	84	3.53	24.99	3.6	33.7
3.3	143	3.5	85	3.53	25	3.6	35
3.3	240	3.5	88	3.53	29.73	3.6	36
3.4	25.8	3.5	88.4	3.53	31.32	3.6	39.1
3.4	27.8	3.5	89	3.53	34.6	3.6	42
3.4	53	3.5	90	3.53	36.09	3.6	43.1
3.5	4	3.5	92	3.53	37.69	3.6	47
3.5	19.5	3.5	101	3.53	40.87	3.6	49
3.5	20	3.5	101.8	3.53	42	3.6	50
3.5	21	3.5	102	3.53	44.04	3.6	51
3.5	22.5	3.5	107	3.53	55.17	3.6	52



GMRG FOR VARIOUS INDUSTRIAL EQUIPMENT

Other rubber O-Rings

d ₂	d ₁	d ₂	d ₁	d ₂	d ₁	d ₂	d ₁
3.6	53	3.6	171	4	292	5	61.6
3.6	55.2	3.6	178	4	320	5	62
3.6	58	3.6	178.2	4	468	5	63
3.6	58.8	3.6	190	4.1	25	5	64
3.6	59	3.6	206.3	4.1	89.8	5	65
3.6	62	3.7	30.5	4.2	34	5	68
3.6	63	3.7	34.5	4.2	49	5	69
3.6	64	3.7	38	4.2	55	5	70
3.6	64.3	3.7	110	4.5	63	5	73
3.6	68.5	3.7	147.6	4.5	72	5	75
3.6	68.5	3.7	188.8	4.5	74	5	78
3.6	69.1	3.8	40	4.5	101	5	79
3.6	70.5	3.8	61.7	4.5	112.6	5	80
3.6	75	3.8	106.4	4.5	123	5	82
3.6	75.2	3.8	119.6	4.5	163.5	5	83
3.6	76	3.8	202.8	4.5	191	5	85
3.6	80.9	3.9	28	4.6	29.5	5	86
3.6	82.1	4	18	4.6	41	5	86.5
3.6	82.5	4	22	4.6	53	5	88
3.6	83.5	4	22.5	4.6	70	5	89
3.6	84.8	4	23	4.6	71.1	5	90
3.6	101	4	25	4.6	80	5	91.5
3.6	102.8	4	26	4.6	82	5	92
3.6	104.7	4	32	4.6	90	5	92.5
3.6	106.8	4	35	4.6	106	5	100
3.6	107	4	38.5	4.6	110	5	101
3.6	107	4	40	4.6	140	5	102
3.6	109.3	4	41	4.6	210	5	105
3.6	114.5	4	46.5	4.6	220	5	106
3.6	115.5	4	46.8	4.9	73	5	107
3.6	120	4	49	5	35	5	108
3.6	121.5	4	50	5	40	5	110
3.6	123.7	4	52	5	42.3	5	112
3.6	132	4	53	5	44	5	114
3.6	133	4	55	5	45	5	115
3.6	134	4	60	5	46	5	118
3.6	135.5	4	63	5	51	5	120
3.6	137	4	70	5	52	5	128
3.6	137.8	4	71	5	53	5	130
3.6	138	4	85	5	54	5	133
3.6	140.8	4	114.3	5	55	5	135
3.6	142.5	4	137	5	56	5	138
3.6	149.7	4	160	5	58	5	140
3.6	150	4	210	5	59	5	140
3.6	150.8	4	240	5	59.2	5	140.5
3.6	158.7	4	245	5	60	5	150



GMRG FOR VARIOUS INDUSTRIAL EQUIPMENT

Other rubber O-Rings

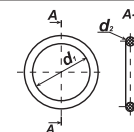
d_2	d_1	d_2	d_1	d_2	d_1	d_2	d_1
5	155	5.2	85	5.33	59.6	5.5	70
5	160	5.2	86	5.33	59.69	5.5	77.9
5	165	5.2	88	5.33	69.22	5.5	81
5	187	5.2	90	5.33	75.57	5.5	85
5	190	5.2	93	5.33	79	5.5	86.4
5	195	5.2	101.2	5.33	85.09	5.5	88
5	198	5.2	103	5.33	88.27	5.5	92.4
5	200	5.2	104	5.33	90.4	5.5	100
5	205	5.2	110	5.33	91.44	5.5	101
5	207	5.2	112	5.33	92.8	5.5	103
5	210	5.2	114.1	5.33	104.14	5.5	110
5	220	5.2	118	5.33	113.66	5.5	140
5	230	5.2	119.6	5.33	116.84	5.5	158
5	245	5.2	120	5.33	120.02	5.5	160
5	260	5.2	120.5	5.33	129.54	5.5	195
5	270	5.2	127.5	5.33	132.72	5.5	225
5	272.2	5.2	130	5.33	134	5.5	260
5	274	5.2	131	5.33	135.9	5.5	290
5	284	5.2	132	5.33	139.07	5.6	39
5	285	5.2	135.1	5.33	142.24	5.6	203
5	290	5.2	138	5.33	145.41	5.7	74.6
5	295	5.2	140	5.33	145.42	5.7	105.3
5	300	5.2	145.5	5.33	180.4	5.7	359.2
5	320	5.2	150	5.33	183.52	5.7	479.3
5	355	5.3	6	5.33	190	5.8	53
5	380	5.3	34.3	5.33	210	5.8	58.5
5	385	5.3	39.4	5.33	291.47	5.8	70.2
5	410	5.3	43	5.4	45.2	5.8	77.1
5	440	5.3	46.4	5.4	46.2	5.8	86.5
5	490	5.3	52.9	5.4	48.2	5.8	92
5	540	5.3	57.1	5.4	48.6	5.8	100
5	595	5.3	58.4	5.4	77.9	5.8	105
5	660	5.3	63	5.4	83.6	5.8	130
5	680	5.3	64.4	5.4	118	5.8	130.5
5	714	5.3	68.4	5.4	138.4	5.8	140.5
5	720	5.3	79.4	5.4	166	5.8	196.5
5	830	5.3	88.6	5.5	20	5.8	201
5	870	5.3	104	5.5	36	5.8	278.4
5.2	61	5.3	129.5	5.5	44	5.8	316
5.2	66.6	5.3	291	5.5	50	5.8	317
5.2	71.6	5.3	294	5.5	51	5.8	330
5.2	74.6	5.3	298	5.5	53.3	5.8	348.4
5.2	75.9	5.3	405.3	5.5	54	5.8	380.4
5.2	76	5.33	56.52	5.5	62	5.8	408.4
5.2	78	5.33	57.5	5.5	63	5.8	466.4
5.2	83	5.33	59	5.5	68	5.8	498.4



GMRG FOR VARIOUS INDUSTRIAL EQUIPMENT

Other rubber O-Rings

d_2	d_1	d_2	d_1	d_2	d_1	d_2	d_1
5.8	526.5	6.7	82	7	200	8.5	240
5.8	606.5	6.7	140	7	215	8.5	390
5.9	66.4	6.8	290	7	217	8.5	465
6	60	6.9	144.5	7	246.2	8.5	510
6	77.8	6.9	164.5	7	314	8.5	610
6	90.3	6.99	18.2	7	350	8.8	222.6
6	114	6.99	86	7	367.7	9	42
6	165	6.99	145.42	7	380	9	72
6	180	6.99	148.59	7	476	9	162.78
6	185	6.99	192.53	7	500	9.1	123.2
6	220	6.99	203.4	7	596	9.5	191.5
6	252	6.99	227.97	7	900	9.5	425
6	302	6.99	291.47	7.2	109.2	10	29.4
6	355	6.99	380.37	7.2	119.6	10	122.8
6	355	6.99	481.46	7.3	137.7	10	133.5
6	476	7	87	7.3	210	10	183
6.2	31.2	7	113	7.35	196.8	10	228
6.2	205	7	116.85	7.4	131.12	10	573
6.3	56	7	122.5	7.5	46	10	865
6.3	112	7	123.2	7.5	103	10	895
6.35	1332	7	125.4	7.5	148.5	11.5	810
6.35	1372	7	137.25	7.5	160	12	15
6.4	76	7	139	7.5	188.6	12	399.5
6.5	67	7	145	8	21.9	13.2	327
6.5	170	7	147.1	8	84	13.2	487
6.5	180	7	148	8	309	16	258
6.5	185	7	158.12	8	410	16	1200
6.5	190	7	156.2	8	690	16	1335
6.6	320	7	158	8	710	16	1425
6.6	330	7	158.4	8.5	19	16	1525
6.6	1195	7	162	8.5	150	18.8	20
6.6	1215	7	175	8.5	175	25	740
6.6	1243	7	177	8.5	196.5	25.3	143.7
6	98.6	8	484	7	311	3.1	139
3.1	90	4.5	476	5	30	3.1	134
5	84	8	458	8	309	8	124
2.62	82.22	5	42.5	6.2	235	9	120
5.8	74.5	6.2	364	6	231	3.6	115
5	61	3.6	34	6.5	180	4.6	11.5
5.8	57	13.5	325	1.9	16.6	16	1000
8	510	13.5	325	2.5	15	4	48
1.9	5.7	5.8	316	3.3	146.5	3	29.2
8	490	6	315	7	145.4	8	550

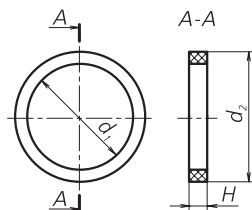


d_1 – ring inside diameter

d_2 – ring cross-section

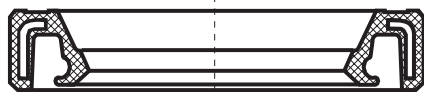
GMRG FOR VARIOUS INDUSTRIAL EQUIPMENT

Square-section rings



d ₁	d ₂	H	d ₁	d ₂	H	d ₁	d ₂	H	d ₁	d ₂	H
82.5	101	9.5	145.8	153	7	229	264	25	40	54	8
82	102	10.5	1555	1695	7	23	28	1.5	50	58	5
92.5	107.5	9.8	18	16	6	26	32	1.5	62.3	66	1.5
92	119	13.5	140	170	2	32	34.6	1.2	70	76	1.5
6	12,2	2.2	153	172	10	32.4	33.5	1.2	50	77	3
9,7	12.5	1.2	148	176	13	28	38	2	74	79	4
109.6	129.6	15	165	185	2	33	38	2.2	78.8	82.2	9.5
6	12	1	170	186	16	35	40	1.5	20	83	8.8
122.8	133.8	6.5	8	18	4	14	42	3	67.5	86.4	9.5
128.2	137	6.4	168	190	2	22	42	3	67	87	11
122	138	16	1690	1910	6	36.7	42	1.75	79	88	5
97	138	7.5	176	192	10	33	43	1.8	92.5	99.5	4,4
9	14.8	2	16	20.5	1.5	39	43	1.5	50	80	6
127	145	8	182.6	220.7	25.4	43	51	2			
3	14	3	195	235	5	494	529	12			
144	150	3	13	23	7.5	48.9	54.9	3			

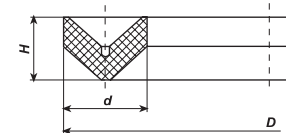
GOST 8752-79 armoured lip seals



1.2-14x22x5	1.2-45x58	1.2-40x60	1.2-35x72x12
1.2-22x40x10	1.2-45x70x10	1.2-13x25	1.2-45x72x10
1.2-22x40	1.2-55x80-2	1.2-17x30	1.2-45x75x10
1.2-25x45	1.2-75x100	1.2-95x115x12	1.2-50x80x8
1.2-32x47	1.2-100x120x13	1.2-19x35x5	1.2-220x250x14
1.2-35x48x10	1.2-110x135x12	1.2-18x48x6	1.2-29x47x8.5
1.2-35x50	1.2-135x160	1.2-35x50x8	
1.2-35x55	1.2-180x220x20	1.2-40x52x10	
1.2-40x58	1.2-20x30x7	1.2-42x54x10	

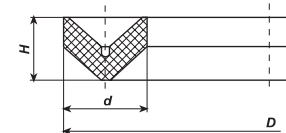
GMRG FOR VARIOUS INDUSTRIAL EQUIPMENT

GOST 22704-77 lip seals



Designation	d	D	b	H
20x40x10x8	20	40	10	8
25x45x10x8	25	45	10	8
30x50x10x8	30	50	10	8
32x52x10x8	32	52	10	8
40x60x10x8	40	60	10	8
50x70x10x8	50	70	10	8
60x80x10x8	60	80	10	8
80x105x12.5x10	80	105	12.5	10
100x125x12.5x10	100	125	12.5	10
125x150x12.5x13	125	150	12.5	13
280x310x15x12	280	310	15	12
25x45x8	25	45	15	8
90x115	90	115	15	10

Other rubber lip seals



Designation	d	D	H
6x22x5.2	6	22	5.2
6x22x6.2	6	22	6.2
6x23x7.2	6	23	7.2
25x35x4.8	6	37	6
37x54x7	37	54	7
38x55x7.6	38	55	7.6
38.4x56.4x8.6	38.4	56.4	8.6
57.4x70,6x7.5	57.4	70.6	7.5
80x100x6	80	100	6
90x120x11.3	90	120	11.3
97x128x15	97	128	15
100x130x17	100	130	17
100x146x19	100	146	19
114x176x15	114	176	15
150x170x8	150	170	8
180x200x8	180	200	8
246.5x272.3x12	246.5	272.3	12

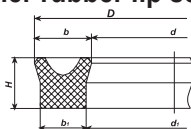


GMRG FOR VARIOUS INDUSTRIAL EQUIPMENT

Other rubber lip seals

Designation	d	D	H
275.4x300.9x12	275.4	300.9	12
305x345x17	305	345	17
430x470x16	430	470	16
Обозначение	d	D	H
25x35x4.8	25	35	4.8
125x155	125	155	
100x125x12	100	125	12
402x442x16	402	442	16

Other rubber lip seals

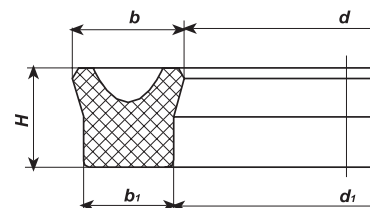


Designation	d	D	H
32x16x9.5	16	32	9.5
37x22x7.5	22	37	7.5
55x35x12	35	55	12
37.5x47x6	37.5	47	6
40x50x10	40	50	10
60x40x12	40	60	12
70x50x12	50.3	70	12
67.5x54x11.5	54	67.5	11.5
54.5x69.5x10	54.5	69.5	10
57.5x74.5x8	57.5	74.5	8
79.5x60.5x9	79.5	60.5	9
80x60x10	60	80	10
90x66x11	66	90	11
100x80x12	80	100	12
100x85x12	85.5	81.3	12
100x90x10	90	100	10
104.5x90.5x8.5	104.5	90.5	8.5
128x97x15	97	128	15
140x112x17	112	140	17
142x120x10.5	120.5	116	10.5
150x120x16	120.5	116	16
150x120x17.5	120.5	116	17.5
160x140x10	140	160	10
170x150x12	150	170	12
180x160x11	160.5	156	11
200x185x8.5	185	200	8.5
266.5x248.5x11	266.5	248.5	11
254x230x7	230	254	7
290x250x20	250	290	20
295x280.5x17.5	281	276	17.5
333x318x6.5	318	333	6.5



GMRG FOR VARIOUS INDUSTRIAL EQUIPMENT

GOST 14896-84 lip seals



Designation	d ₁	d	b ₁	b	H
20x12x6.5x6	12.2	9.5	3.8	6.5	6
30x20x8x7	20.3	17	4.7	8	7
35x25x8x7	25.3	22	4.7	8	7
38x28x8x7	28.3	25	4.7	8	7
40x30x8x7	30.3	27	4.7	8	7
42x32x8x7	32.3	29	4.7	8	7
46x36x8x7	36.3	33	4.7	8	7
50x40x8x7	40.3	37	4.7	8	7
60x50x8x7	40.3	47	4.7	8	7
55x45x8x7	45.3	42	4.7	8	7
63x48x10.5x9	48.3	45	7	10.5	9
80x65x10.5x9	65.5	62	7	10.5	9
100x80x14x10	80.5	76	9.5	14	10
110x85x16.2x14.5	85.5	81.3	12	16.2	14.5
130x100x19.5x17	100.5	95.5	14.5	19.5	17
140x120x14x10	120.5	116	9.5	14	10
145x125x14x10	125.5	121	9.5	14	10
180x160x14x10	160.5	156	9.5	14	10
200x170x19.5x17	170.5	165.5	14.5	19.5	17
200x180x14x10	180.5	175.5	9.5	14	10
210x180x19.5x17	180.5	175.5	14.5	19.5	17
250x230x14x10	250.5	226	9.5	14	10
320x300x14x10	300.5	296	9.5	14	10
340x320x14x10	320.5	316	9.5	14	10
360x335x17x12.5	335.5	330.5	12	17	12.5
400x375x17x12.5	375.5	370.5	12	17	12.5
500x475x17x12.5	475.5	470.5	12	17	12.5
525x500x17x12.5	500.5	495.5	12	17	12.5
140.5x136x9.5x14	140.5	136	9.5	14	10
32.3x29x4.7x8	32.3	29	4.7	8	4.3
180.5x176x9.5x14	180.5	176	9.5	14	10
75.5x71.3x12x16.2	75.5	71.3	12	16.2	14.5
160.5x156x9.5x14	160.5	156	9.5	14	10
50.3x47x4.7x8	50.3	47	4.7	8	7



GMRG FOR VARIOUS INDUSTRIAL EQUIPMENT

GOST 14896-84 lip seals

Designation	d_1	d	b_1	b	H
90.5x85.5x14x19.5	90.5	85.5	14	19.5	17
130.5x25.5x14.5x19.5	130.5	25.5	14.5	19.5	17
16.3x14.2x5.7x7.8	16.3	14.2	5.7	7.8	5.3
45.5x42x9.5x13x	45.5	42	9.5	13	12
60.5x57x9.5x13	60.5	57	9.5	13	12
70.5x67x9.5x13	70.5	67	9.5	13	12
70.5x66.3x12x16.2	70.5	66.3	12	16.2	14.5
120.5x116x9.5x14	120.5	116	9.5	14	10
125.5x121x9.5x14	125.5	121	9.5	14	10
110.5x105.5x14.5x19.5	110.5	105.5	14.5	19.5	17
30.5x27x9.5x13	30.5	27	9.5	13	8.5



GMRG FOR VARIOUS INDUSTRIAL EQUIPMENT




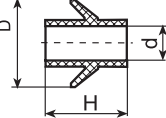
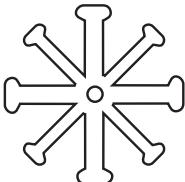
Other seals (resilient couplers, lip seals, hoods, etc.)

	High-pressure valve seal	50x61.2x7.5
	Mobile crane cradle seal	122x143x15
	Mobile crane cylinder lip seal	120x142x10.5
	Rod and cylinder lip seals	33x27
		37x27
		43x33
		54x42
	Azinmash-37A hydraulic cylinder lip seal	112x140
		160x180



GMRG FOR VARIOUS INDUSTRIAL EQUIPMENT

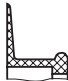
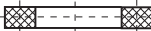






Other seals
(resilient couplers, lip seals, hoods, etc.)

	Azinmash hydraulic cylinder rod seal	60x80
	BAK ПВД lip seal	516x454x20
	Dosing pump lip seal	20x40
		25x45
		30x50
		40x60
		45x65
		50x70
		60x80
	Lip seal	30.5x59x51.5
		47.5x61.5x14.5
		49x63x14
		55x69x11
	Impeller	40x19



GMRG FOR VARIOUS INDUSTRIAL EQUIPMENT

Other seals
(resilient couplers, lip seals, hoods, etc.)

	Rubber lip seal	2209.00.00.01 H
		2209.00.00.02 H
		2209.00.00.03 H
		2209.00.00.04 H
		2209.00.00.05 H
		2209.00.00.06 H
		2209.00.00.07 H
	3", 4" valve spindle seal	99.5x92.5
		137x128.2
	Sampler (for sampling liquid sulphur)	25x18.8
	ДОТ-240, УД-195 hood	
	ДОТ1-127 РС.011 hood	
	D 10.05 lip seal	10.8x24x7.5
	D 11.11 lip seal	19x29.8x5.8
	Bush	32.5x16x8.2
		32.5x8.5



GMRG FOR VARIOUS INDUSTRIAL EQUIPMENT

Other seals
(resilient couplers, lip seals, hoods, etc.)

	D 20.64 lip seal	14x20x6
	D 36.5 lip seal	24.8x34.4x6.3
	D 44.45 lip seal	32.2x44.6x6.4
	D 50.8 lip seal	37.3x51.3x8
	D 76.2 lip seal	56x77x12.5
	Seals for ОДВ separator	88x12
		497x473x11.8
		529x494x12
		534x510x11.8
	Resilient coupler	28x52
		30x57.4
	Impact bar	96x30x15
	Sprocket	46.7x102x17



GMRG FOR VARIOUS INDUSTRIAL EQUIPMENT

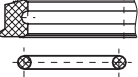
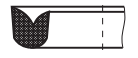
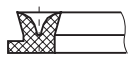
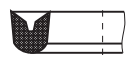
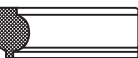
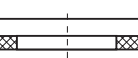
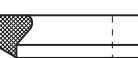
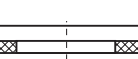


Other seals
(resilient couplers, lip seals, hoods, etc.)

	Seal ring for 500 mm sewage plastic pipes	48.5x61.9
	Seal ring for 110 mm sewage plastic pipes	107.6x123.2
	Resilient bush	МУВП 1-25/5
		МУВП 1-40/5
		МУВП 1-70/5
		МУВП 1-80/5
	Seal	52.4x36x9
		126x64x19
	Bush	30x12.5x13
	Bellows	52.4x35x24.5
	Lip seal	75x57x8
		71.5x52.5x10
		62x44x12
		62x45x12



GMRG FOR VARIOUS INDUSTRIAL EQUIPMENT

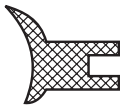


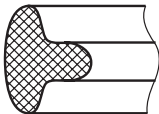
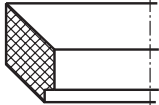
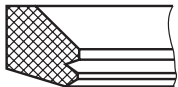
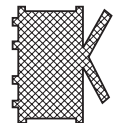
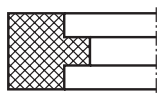
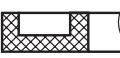
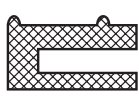
Other seals
(resilient couplers, lip seals, hoods, etc.)

	BPC mechanical seal	54.3x72.3x11.5	
	Lip seal	146x99x27	
		123.5x157.5x22	
		141.5x99.5x22	
		172.5x140.5x19	
		120x150x14	
		129.8x98.5x17	
	Seal	126x98x21.6	
		104x44.5x15	
		118x63x16.5	
		120x62x17	
		114.5x82x11	
		106x45.5x15	
		115x75x20	
		Lip seal	112.5x127.5x6.5



GMRG FOR VARIOUS INDUSTRIAL EQUIPMENT

Other seals
(resilient couplers, lip seals, hoods, etc.)

	Seal	139x167x25	
		98x143.5x24	
		1910x1990x6	
		55x44.4x10.8	
		87x32x50	
		87x32x50	
		7x17	
		204x89.5x4	
		95x115x8.7 41.1x30.8x8	
		Glass seal	Non-moulded



GMRG FOR VARIOUS INDUSTRIAL EQUIPMENT

Other seals
(resilient couplers, lip seals, hoods, etc.)

	Lip seal	20x40x10
		28x48x10
	Plunger lip seal	146x100
	Lip seal	71x52x13.5
		75.5x55.5x15.5
		78x105.2x13.5
		Gate valve spindle seal
	Buffer	50x50x28
	Coupling	100x200x60
	Check covering	Φ 570x184
		Φ 684x214
	Seal	360x390x24
		300x330x24



GMRG FOR VARIOUS INDUSTRIAL EQUIPMENT

Other seals
(resilient couplers, lip seals, hoods, etc.)

	Collar	8x34x15
		173x144x32
		3.5x12.5x4.5
	Type 9 lip seal	410x350x24
	Lip seal	192x152x20
	Pneumatic cylinder lip seal	73x55x8.5
	Membrane	184x4
	Lip seal	44.6x35.4x6.5
	Lip seal	31.6x16.4x9.5
	Gasket	50x48x17
	Bush	33.8x31.5x26x25.1



GMRG FOR VARIOUS INDUSTRIAL EQUIPMENT

TU 38.105-2002-91

Marine cylinder shock absorbers



Rubber specifications:

1. Nominal tensile strength, Ppa, min - 15,0
2. Elongation at failure, %, min - 450
3. Shore A hardness - 55-70
4. Shock absorbers' sizes, load resistance and energy absorption values are shown in the table.

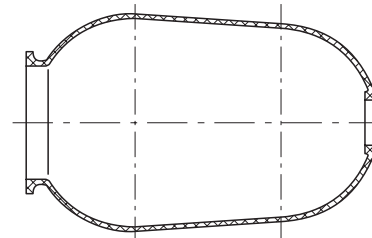
Cylinder shock absorbers are designed to act as cushion devices for docking low-displacement boats to a pier or a wharf at ambient temperatures of -40 °C to +40 °C.

OD, mm	ID, mm	Length, mm	Load resistance, kN	Energy absorption, KJ	Weight, kg
120+/- 10	60	500+/-10	30	0.68	5.5
120+/- 10	60	1000+/- 10	60	1.36	11
120+/- 10	60	1500+/-20	90	2.04	16.5
120+/- 10	60	2000+/-20	120	2.72	22
200+/- 10	100	500+/- 10	50	1.85	14.7
200+/-10	100	1000+/- 10	100	3.7	29.5
200+/- 10	100	1500+/-20	150	5.6	44.2
200+/-10	100	2000+/-20	200	7.35	65.6
220+/- 10	100	300+/- 10	30	1.11	12
220+/- 10	100	500+/-10	50	1.85	20
300+/- 10	150	500+/- 10	50	2.9	34
300+/-10	150	1000+/- 10	90	5.8	68
300+/- 10	150	1500+/-20	128	8.7	103
300+/- 10	150	2000+/-20	167	8.3	138
300+/-10	150	3000+/-30	251	16.9	194.5
400+/-20	200	2000+/-30	78	25.7	250
500+/-30	250	500+/-10	25	8	95.5
500+/-30	250	1000+/-20	50	16.1	191
500+/-30	250	1500+/-20	70	24.3	287
500+/-30	250	2000+/-30	98	32.1	347
800+/-30	400	500+/-30	148.8	23	241
800+/-30	400	1000+/-30	297.6	46	410
800+/-30	400	1500+/-30	446.4	69	724
800+/-30	400	2000+/-30	595	92	966
1000+/-30	500	500+/-30	186	30	377
1000+/-30	500	1000+/-30	372	60	700
1000+/-30	500	1500+/-30	558	90	1000
1000+/-30	500	2000+/-30	744	120	1508

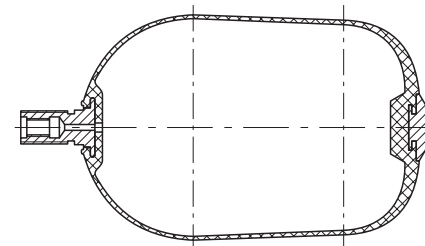


GMRG FOR VARIOUS INDUSTRIAL EQUIPMENT

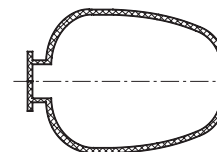
Diaphragm, V – 10 L, 25 L



Booster pump buffer diaphragm



Discharge liquid accumulator membranes

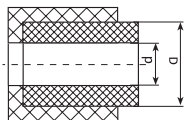


Volume, L	Operating medium	Range
1	In gas cavity – nitrogen, in liquid cavity - oil	-25 ...+80 °C
2.5		
6.3		
10		
25		



GMRG FOR VARIOUS INDUSTRIAL EQUIPMENT

Rubber blanks for mechanical production of different seals (rings, lip seals, gaskets, etc.)



Designation	d, mm	D, mm	H, mm
5/30	5	30	118
5/45		45	
28/45	28	45	
5/52	5	52	
15/52	15	60	
15/60			
28/60	28	60	
38/60	38	76	
38/76			
48/76	48	92	
48/92			
60/92	60	92	
70/92	70	92	
76/92	76	108	
76/108			
80/108	80	108	
90/108	90	108	
76/124	76	124	
80/124	80	124	
90/124	90	140	
90/140			140
100/140	100	140	
108/140	108	156	
108/156			156
115/156	115	156	
124/156	124	156	
140/172	140	172	
124/172	124	172	
150/188	150	188	
158/188	158	188	
170/204	170	204	
190/235	190	235	



GMRG FOR VARIOUS INDUSTRIAL EQUIPMENT

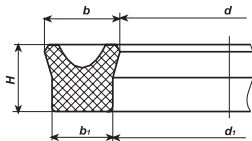
GOST 6467-79 rubber cords

Diameter, mm	Rubber type	Application
1 to 30	Fluoride	Designed for operation in oil, gas, gas condensate environment with H ₂ S content 25% and process pressure up to 36 MPa and at temperatures up to 200°C.
	Ethylene-propylene	Designed for operation in aromatic solvents (acetone, methyl ethyl ketone and others) and at temperatures from -50°C to +170°C.
	Silicone	Designed for operation in hot water, saturated steam, air environment, at temperatures up to +260°C.
	МБС	Designed for operation in oil, gas, gas condensate environment with process pressure up to 36 MPa and at temperatures up to +120°C.



POLYURETHANE PRODUCTS

GOST 14896-84 lip seals

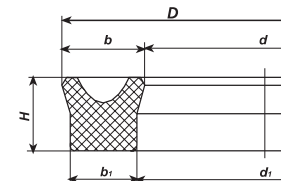


Designation	d ₁	d	b ₁	b	H
20x12x6.5x6	12.2	9.5	3.8	6.5	6
30x20x8x7	20.3	17	4.7	8	7
35x25x8x7	25.3	22	4.7	8	7
38x28x8x7	28.3	25	4.7	8	7
40x30x8x7	30.3	27	4.7	8	7
42x32x8x7	32.3	29	4.7	8	7
46x36x8x7	36.3	33	4.7	8	7
50x40x8x7	40.3	37	4.7	8	7
60x50x8x7	40.3	47	4.7	8	7
55x45x8x7	45.3	42	4.7	8	7
63x48x10.5x9	48.3	45	7	10.5	9
80x65x10.5x9	65.5	62	7	10.5	9
100x80x14x10	80.5	76	9.5	14	10
110x85x16.2x14.5	85.5	81.3	12	16.2	14.5
130x100x19.5x17	100.5	95.5	14.5	19.5	17
140x120x14x10	120.5	116	9.5	14	10
145x125x14x10	125.5	121	9.5	14	10
180x160x14x10	160.5	156	9.5	14	10
200x170x19.5x17	170.5	165.5	14.5	19.5	17
200x180x14x10	180.5	175.5	9.5	14	10
210x180x19.5x17	180.5	175.5	14.5	19.5	17
250x230x14x10	250.5	226	9.5	14	10
320x300x14x10	300.5	296	9.5	14	10
340x320x14x10	320.5	316	9.5	14	10
360x335x17x12.5	335.5	330.5	12	17	12.5
400x375x17x12.5	375.5	370.5	12	17	12.5
500x475x17x12.5	475.5	470.5	12	17	12.5
525x500x17x12.5	500.5	495.5	12	17	12.5



POLYURETHANE PRODUCTS

Other lip seals

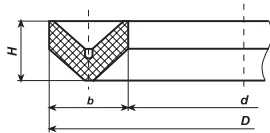


Designation	d	D	H
32x16x9.5	16.3	13	9.5
37x22x7.5	22.3	19	4.5
55x35x12	35	55	12
37.5x47x6	37.5	47	6
40x50x10	40	50	10
60x40x12	40.3	37	12
70x50x12	50.3	47	12
67.5x54x11.5	54	67.5	11.5
54.5x69.5x10	54.5	69.5	10
57.5x74.5x8	57.5	74.5	8
80x60x10	60	80	10
90x66x11	66	90	11
100x80x12	80	100	12
100x85x12	85.5	81.3	12
100x90x10	90	100	10
128x97x15	97	128	15
140x112x17	112	140	17
142x120x10.5	120.5	116	10.5
150x120x16	120.5	116	16
150x120x17.5	120.5	116	17.5
160x140x10	140	160	10
170x150x12	150	170	12
180x160x11	160.5	156	11
200x185x8.5	185	200	8.5
254x230x7	230	254	7
290x250x20	250	290	20
295x280.5x17.5	281	276	17.5
333x318x6.5	318	333	6.5
69x51x16	51	69	16
158x134.2x19	134.2	158	19
158x134.2x12.5	134.2	158	12.5

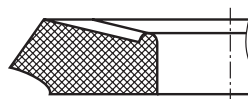


POLYURETHANE PRODUCTS

Other lip seals



Designation	d	D	H
6x22x5.2	6	22	5.2
6x22x6.2	6	22	6.2
6x23x7.2	6	23	7.2
25x35x4.8	6	37	6
37x54x7	37	54	7
38x55x7.6	38	55	7.6
38.4x56.4x8.6	38.4	56.4	8.6
57.4x70.6x7.5	57.4	70.6	7.5
80x100x6	80	100	6
90x120x11.3	90	120	11.3
97x128x15	97	128	15
100x130x17	100	130	17
100x146x19	100	146	19
114x176x15	114	176	15
150x170x8	150	170	8
180x200x8	180	200	8
246.5x272.3x12	246.5	272.3	12
275.4x300.9x12	275.4	300.9	12
305x345x17	305	345	17
430x470x16	430	470	16
25x35x4.8	25	35	4.8
125x155	125	155	
100x125	100	125	
402x442x16	402	442	16



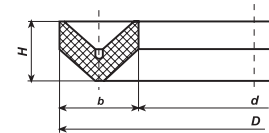
Seal ring

Seal ring	160x178x14.5
-----------	--------------



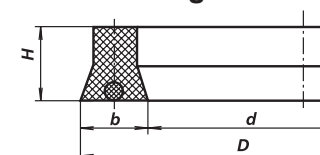
POLYURETHANE PRODUCTS

GOST 22704-77 lip seals



Designation	d	D	b	H
20x40x10x8	20	40	10	8
25x45x10x8	25	45	10	8
30x50x10x8	30	50	10	8
32x52x10x8	32	52	10	8
40x60x10x8	40	60	10	8
50x70x10x8	50	70	10	8
60x80x10x8	60	80	10	8
80x105x12.5x10	80	105	12.5	10
100x125x12.5x10	100	125	12.5	10
125x150x12.5x13	125	150	12.5	13
280x310x15x12	280	310	15	12
25x45x8	280	310	15	12
90x115	280	310	15	12

Sealing set

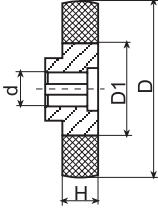
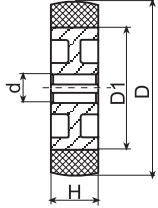
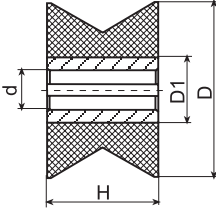
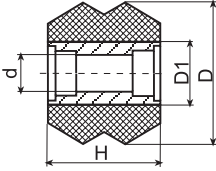


Lip seal				Ring		
Designation	d	D	H	Designation	D	b
96x114x9.5	96	114	9.5	100.5x5.33	100.5	5.33
139.3x157.3x9.5	139.3	159.3	9.5	144.5x5.33	144.5	5.33
159.5x177.5x9.5	159.5	177.5	9.5	163.2x5.33	163.2	5.33



POLYURETHANE PRODUCTS

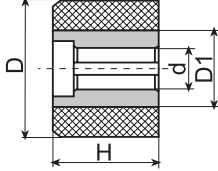
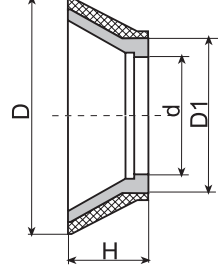
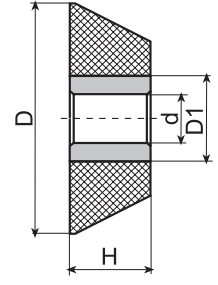
Pipe rollers

	82114.00-0.1-703	300x160x85x60
	82114.00-0.1-704.1	300x210x80x50
	82114.00-0.1-610.0	300x110x190x70
	82114.00-0.1-611.1	239x110x190x70

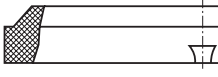


POLYURETHANE PRODUCTS

Pipe rollers

	81100.00-0.1-917.0	200x110x150x60
	6048	335x220x110x170
	82114.00-0.1-610.0	300x196x95x62
		300x196x95x40
		300x196x95x35
		260x196x60x62
		260x196x60x40
		260x196x60x30

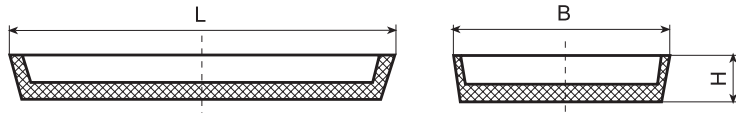
Valve

	Valve	116x20.7
---	-------	----------



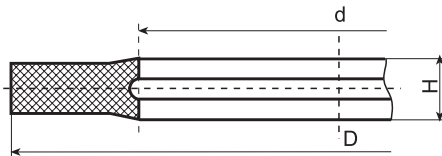
POLYURETHANE PRODUCTS

Cup seal



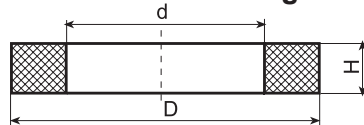
Designation	L	B	H
57x25x4	57	25	4

Seal



Designation	D	d	H
42L655	90	55.5	7

Intermediate rings



Designation	D	d	H
197846-36	184.5	120	30
197846-36-01	219.5	140	30
197846-36-03	242.5	165	30
197846-36-04	279.5	185	30
197846-36-05	299.5	212	30
197846-36-06	329.5	240	30
197846-36-08	379.5	290	30
197846-36-11	449.5	370	30
197846-36-12	450	350	30



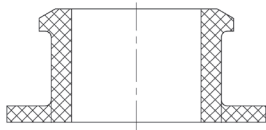
POLYURETHANE PRODUCTS

	Dust seal	50x59.7x4.7
	Lip seal	50x70x16
	Pressure ring	133.2x158x7.5
	Dust seal	132x144x6
	Lip seal	130.6x161.6x19
	Lip seal	130.6x161.6x12.5
	Lip seal	55x65x6.5
	Diabolo roller	250x300

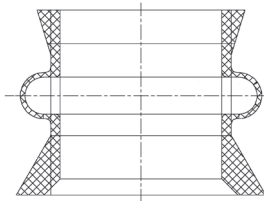


POLYURETHANE PRODUCTS

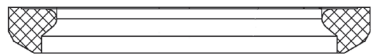
Bush



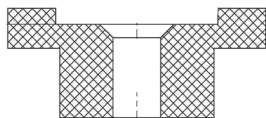
Protection collar



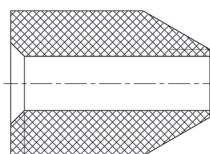
Gardner Denver pump valve seal



Desanding hydrocyclone nozzle

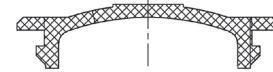


Desilting hydrocyclone nozzle



POLYURETHANE PRODUCTS

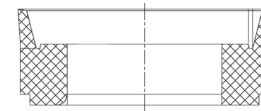
Engine bracket end piece



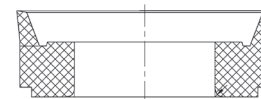
232x4.6 ring



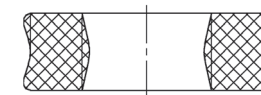
Д115 piston cup



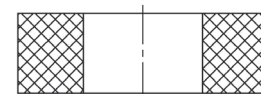
Д127 piston cup



Casing staffing box packing



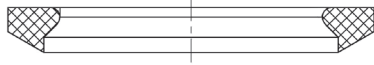
Staffing box packing



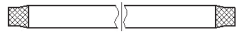


POLYURETHANE PRODUCTS

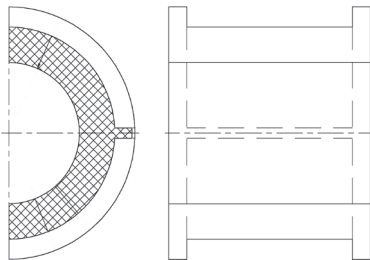
Plunger pump valve seal



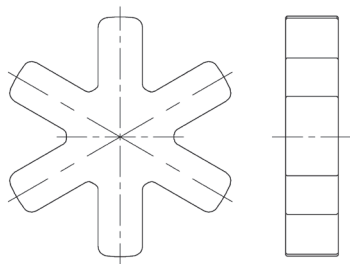
Cylinder sleeve seal



Screw conveyor bracket casing



Resilient coupler sprocket



TEFLON PRODUCTS

Seals

	Lip Seal	6.22x22.4x9
	Lock collar	6.2x22.4x5
	Seat	6.6x22.2x7.5
	Seat	6.2x22.2x7.6
	Bush	6.2x22.2x4.5
	Bush	17x25.8x6
	Bush	11.4x22.5x4.5
	Gasket	44x52x0.8
	Seal	14.2x18.2x4
	Bush	2.2x9.5x4
	Valve seal	39.5x47x.5x1.6 39.8x48x3.9 40.7x48.7x2
	Seal	59x66x3 1
	Lip seal	34.8x58.2x12

Round-section rings

We supply round section rings with OD up to 600 mm and cross-section up to 30 mm.

Square-section rings

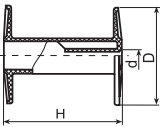
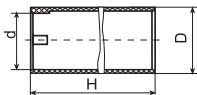

We supply square section rings with OD up to 600 mm and height up to 40 mm.

Rods

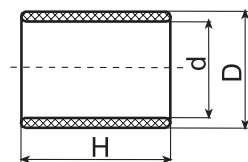
We supply round section rods with OD up to 200 mm and length up to 200 mm.

PLASTIC PRODUCTS

Products for man-made fibre production equipment

	Latex thread winding spool	УПМ-508 high impact polystyrene	95x14.5x105
	KOИ-315 tube for polyamide thread winding	Glass-reinforced polyamide	85x72x280
	Pipe end plugs	Modified polyethylene	1435x1425x150 1235x1225x150 1035x1025x150

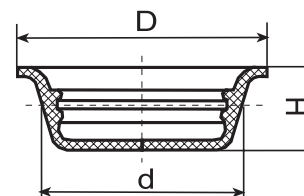
Spandex thread winding cartridge



Designation	D	d	H
50.5833.002	80.2	73.5	114.5
50.5833.001			57.25

PLASTIC PRODUCTS

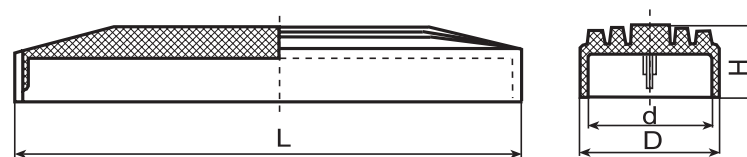
Pipe internal thread protective caps



Designation	D	d	H
14x6.4x8	14	6.4	8
20x12.5x10	20	12.5	10
24x16x10	24	16	10
25x20x12	25	20	12
32x25x15	32	25	15
38x31x15	38	31	15
47x41x20	47	41	20
53x47x20	53	47	20
65x59x25	65	59	25
90x75x27	90	75	27

* Material used: ПЭВД-158 polyethylene

Brace slide for pipelaying operations



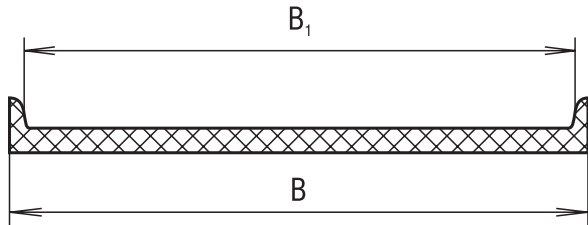
Designation	L	D	b	H
ПМГД 01	256	66	60	30.5
ПМГД 02	134	36.5	30	27.5

* Material used: 01060 polyethylene



PLASTIC PRODUCTS

Isolating shims for contact system brackets and cantilevers clamps

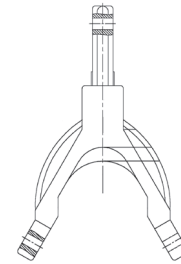


Inside diameter (B1)	Outside diameter (B)
40	45
50	55
60	65
70	75
80	85
90	95
100	105
110	115
120	125
130	135
140	145
150	155

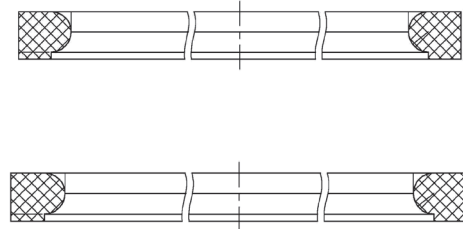


PLASTIC PRODUCTS

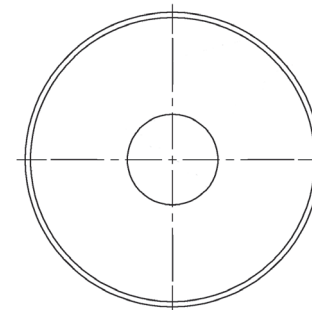
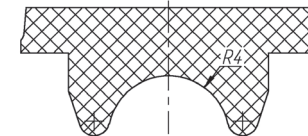
Yoke



Locking washer



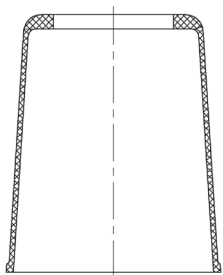
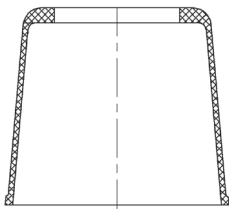
Vial plug



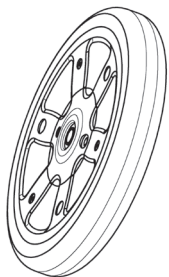
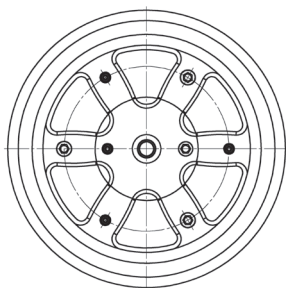


PLASTIC PRODUCTS

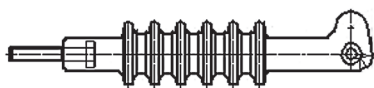
1119-2902814 hood



Д-3516.0001 wheel



Insulator



LATHE CUT RUBBER

PRODUCTION

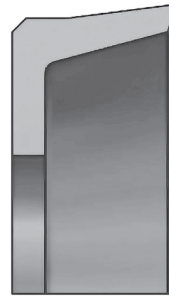




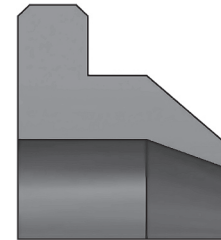
LATHE CUT RUBBER PRODUCTION

Scrapers

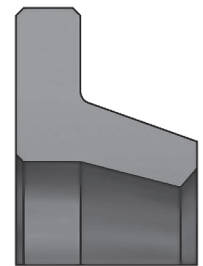
DK216



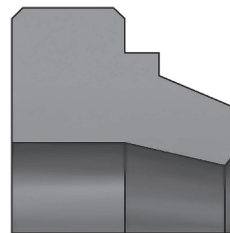
DS116



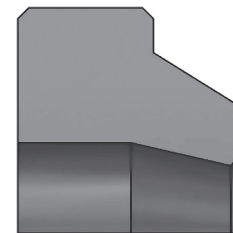
DS216



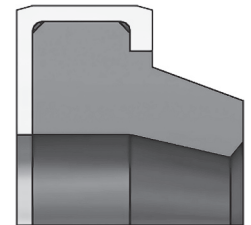
DA101



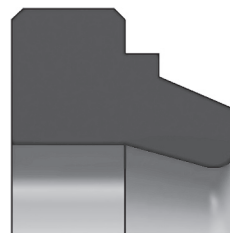
DA102



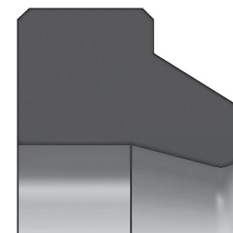
DA103



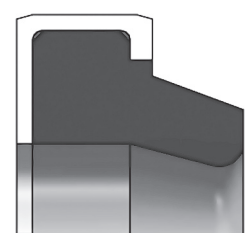
DA104



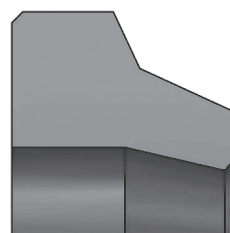
DA105



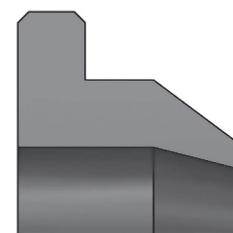
DA106



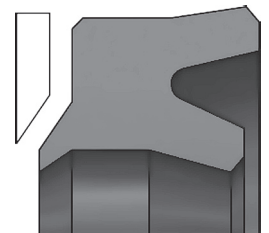
DA1070



DA108



DA111

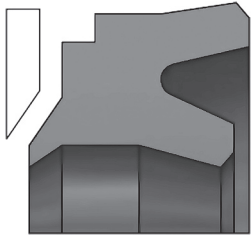




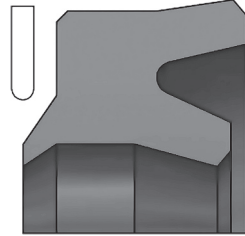
LATHE CUT RUBBER PRODUCTION

Scrapers

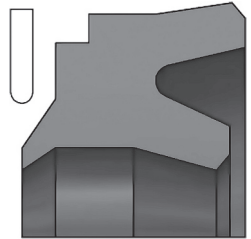
DA112



DA211



DA212



DA212



LATHE CUT RUBBER PRODUCTION

Additional standard cross-section types

DA801_A



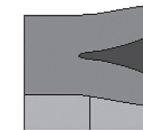
DA802_A



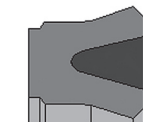
DAS101_A



S6ME_A



S6MR_A

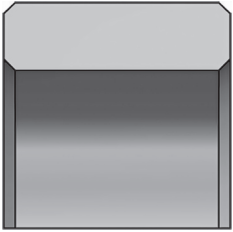




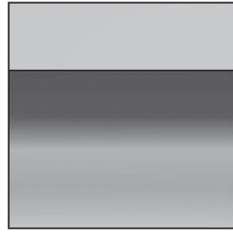
LATHE CUT RUBBER PRODUCTION

Guide rings

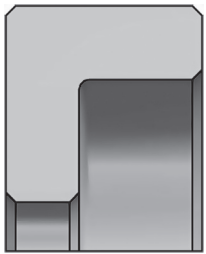
DF101



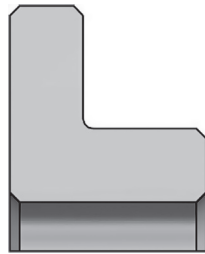
DF102



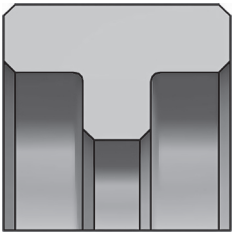
DF103



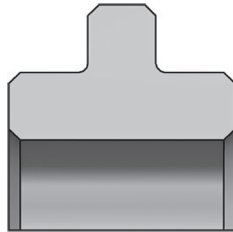
DF104



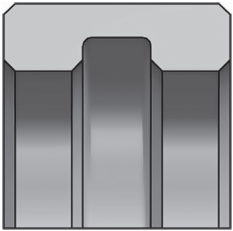
DF105



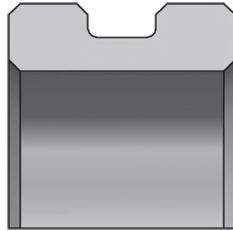
DF106



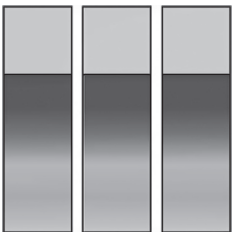
DF107



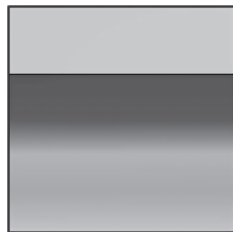
DF108



DFB102



DFL101



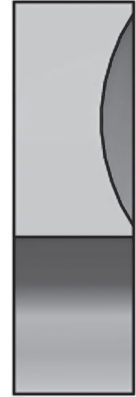
LATHE CUT RUBBER PRODUCTION

Support rings

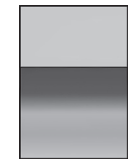
DFL102



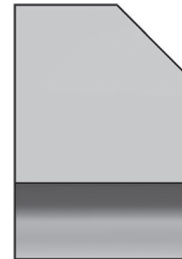
DST109



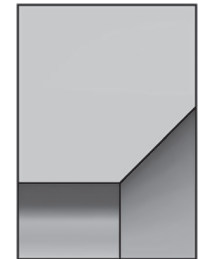
DST108



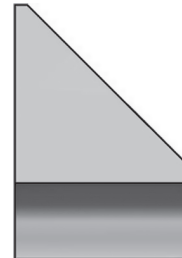
DST110



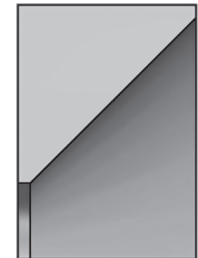
DST111



DST112



DST113

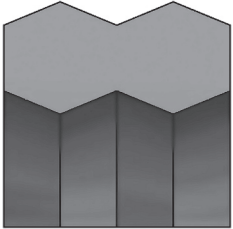




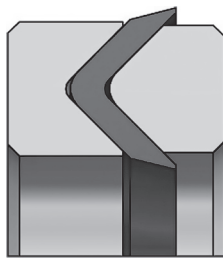
LATHE CUT RUBBER PRODUCTION

Symmetrical seals

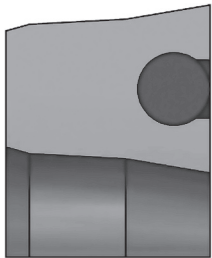
DFL108



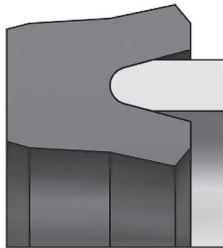
DK110-112



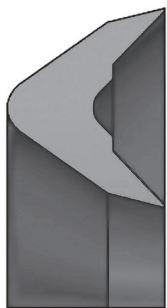
DK118



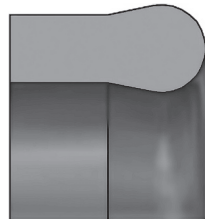
DK123



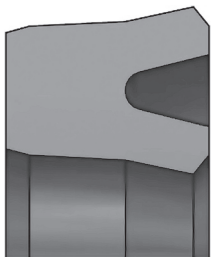
DK124



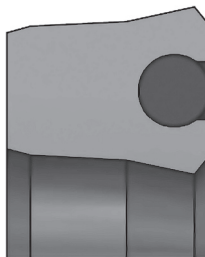
DK199



DS106



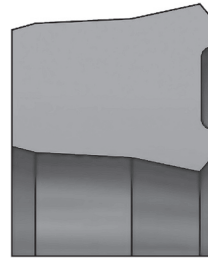
DS107



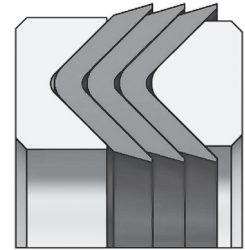
LATHE CUT RUBBER PRODUCTION

Symmetrical seals

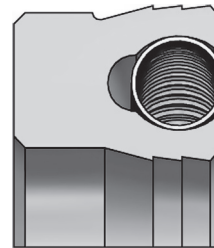
DS108



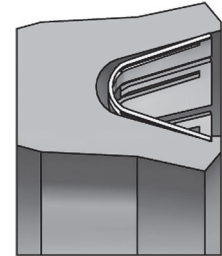
DS110-112



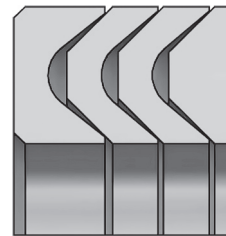
DS118



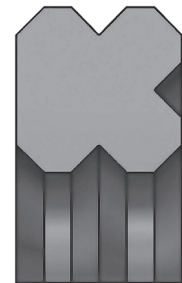
DS119



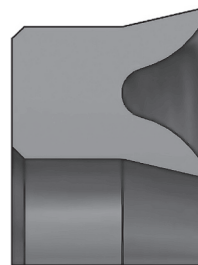
DS126-128



DS130



DS139





LATHE CUT RUBBER PRODUCTION

Static seals and O-rings

DFL103



DFL104



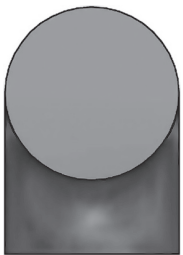
DFL109



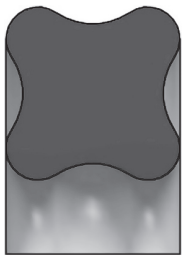
DFL110



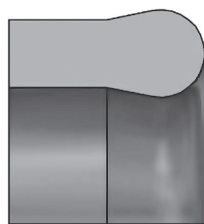
DFL106



DFL111



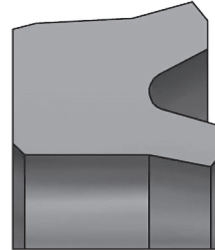
DS199



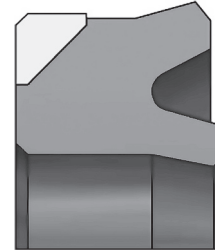
LATHE CUT RUBBER PRODUCTION

Rotary joint seals

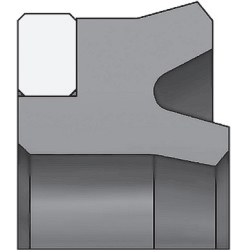
DK101



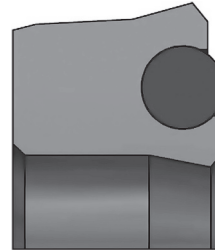
DK102



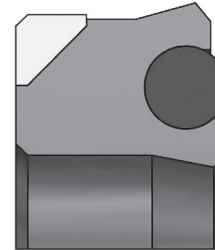
DK102R



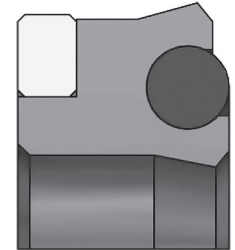
DK103



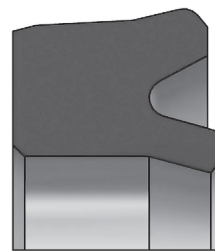
DK104



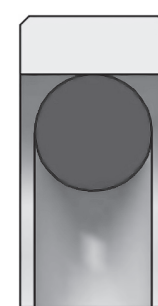
DK104R



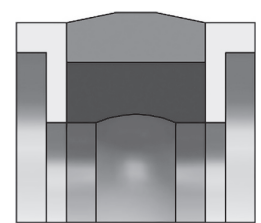
DK105



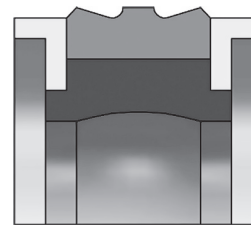
DK108



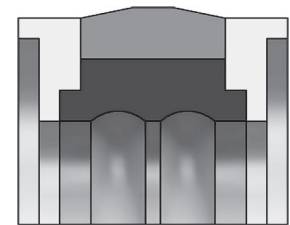
DK109



DK109D



DK109H

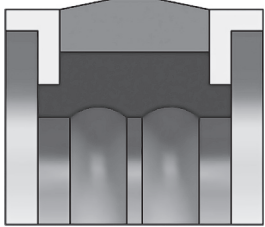




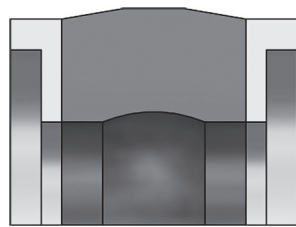
LATHE CUT RUBBER PRODUCTION

Rotary joint seals

DK109N



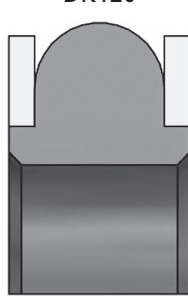
DK117



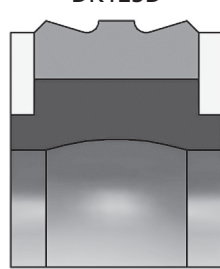
DK116



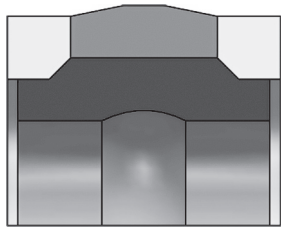
DK120



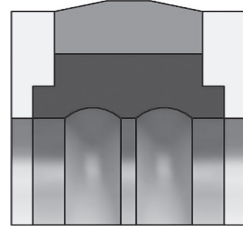
DK123D



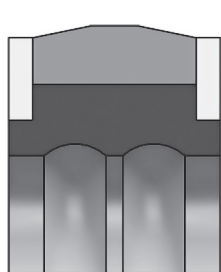
DK122



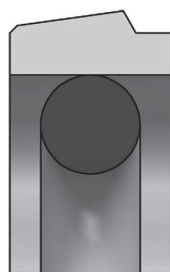
DK123H



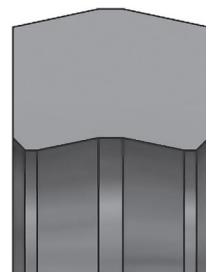
DK123N



DK125



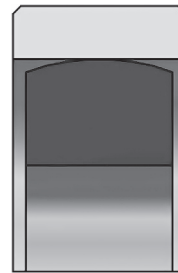
DK127



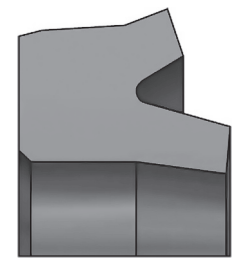
LATHE CUT RUBBER PRODUCTION

Rotary joint seals

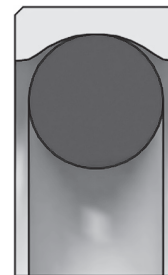
DK138



DK141



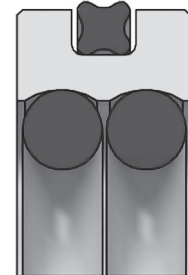
DK142



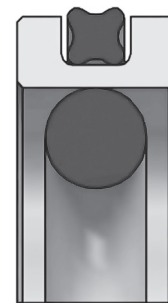
DK143



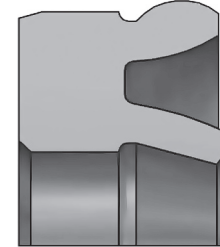
DK144



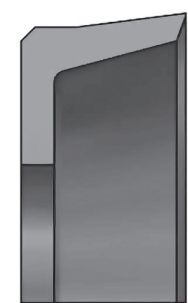
DK145



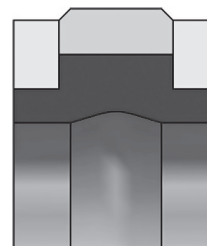
DK205



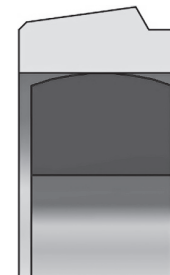
DK216



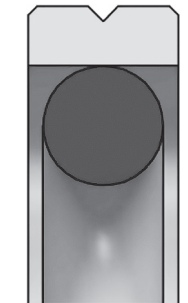
DK222



DK238



DR111

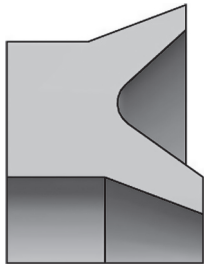




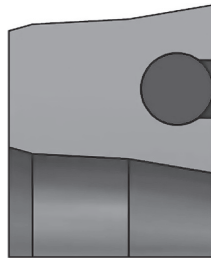
LATHE CUT RUBBER PRODUCTION

Rotary joint seals

DA114A



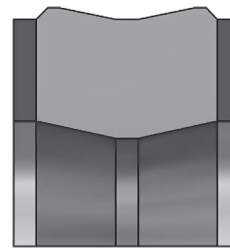
DS121



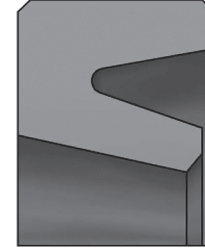
LATHE CUT RUBBER PRODUCTION

Rotary joint seals

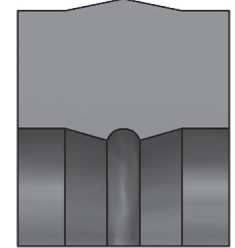
DR103



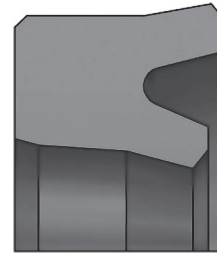
DR108



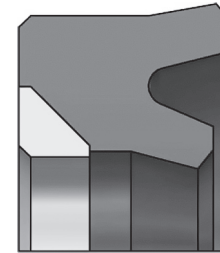
DR112



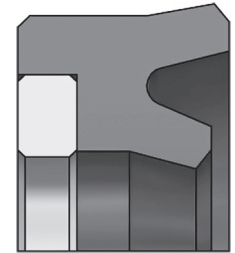
DS101



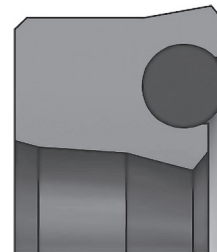
DS102



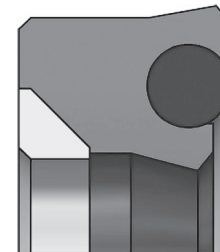
DS102R



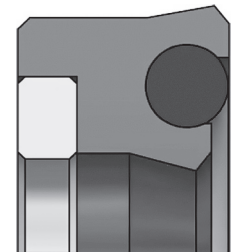
DS103



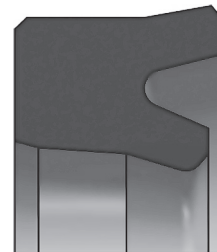
DS104



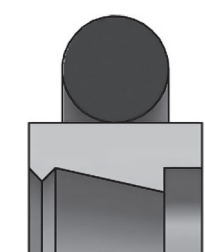
DS104R



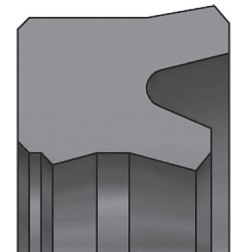
DS105



DS109



DS117

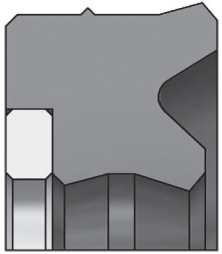




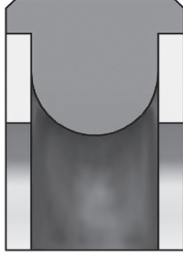
LATHE CUT RUBBER PRODUCTION

Rotary joint seals

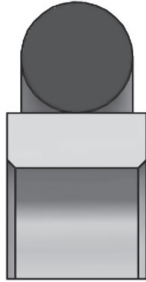
DS117R



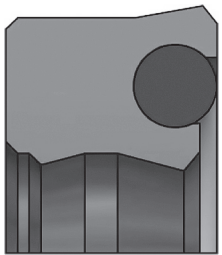
DS117R



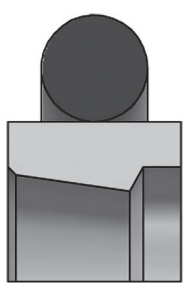
DS124



DS125



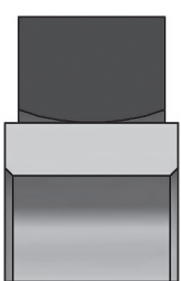
DS129



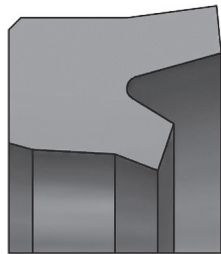
DS131



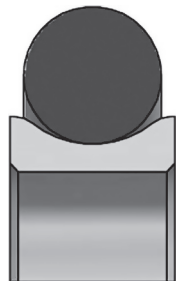
DS138



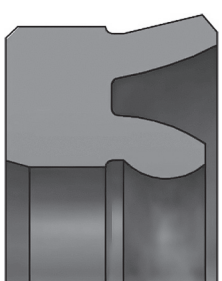
DS141



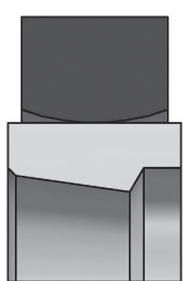
DS142



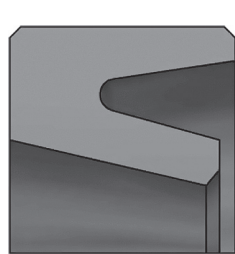
DS205



DS238



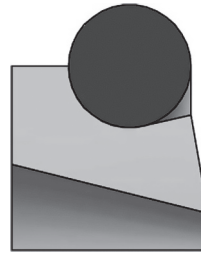
DA113



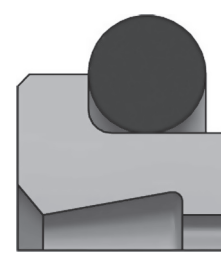
LATHE CUT RUBBER PRODUCTION

Rotary joint seals

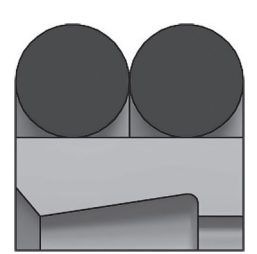
DA115



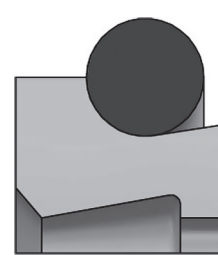
DA116



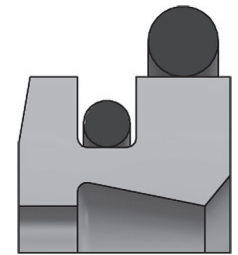
DA117



DA118



DA119

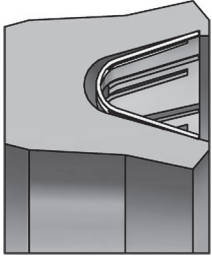




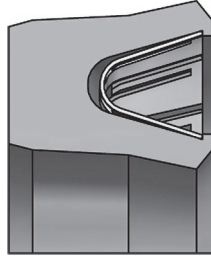
LATHE CUT RUBBER PRODUCTION

Rotary joint seals

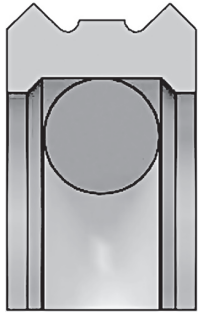
DK119



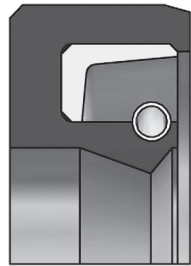
DK139



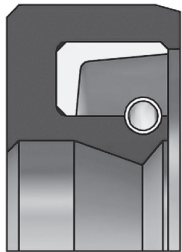
DK140



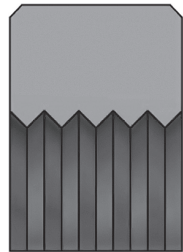
DR101



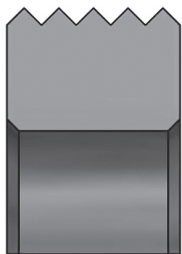
DR102



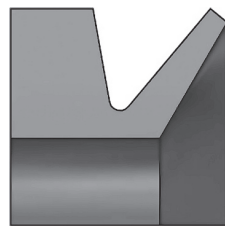
DR104



DR105



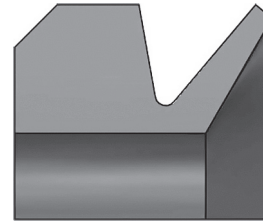
DR106



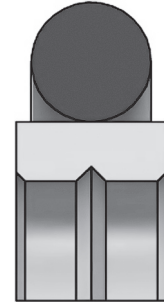
LATHE CUT RUBBER PRODUCTION

Rotary joint seals

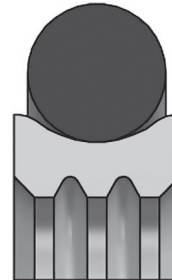
DR107



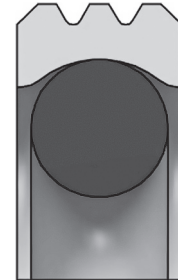
DR110



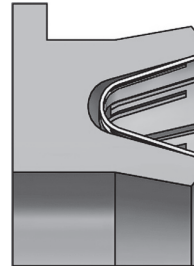
DR115



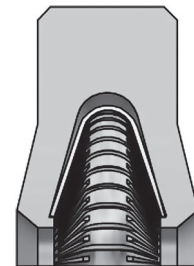
DR116



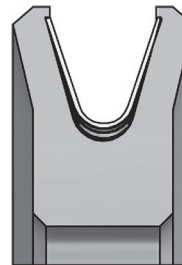
DR117



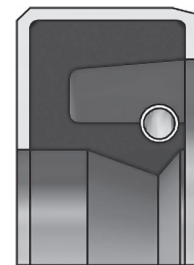
DR118



DR119



DR201

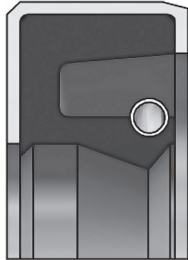




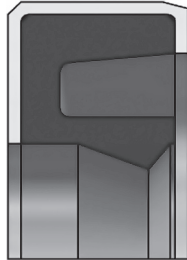
LATHE CUT RUBBER PRODUCTION

Rotary joint seals

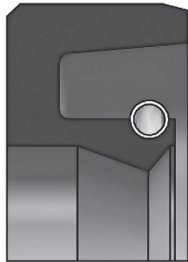
DR202



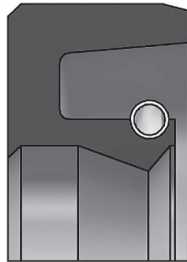
DR203



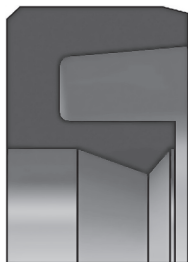
DR204



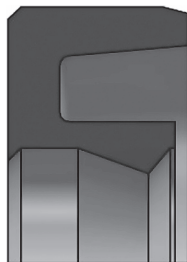
DR205



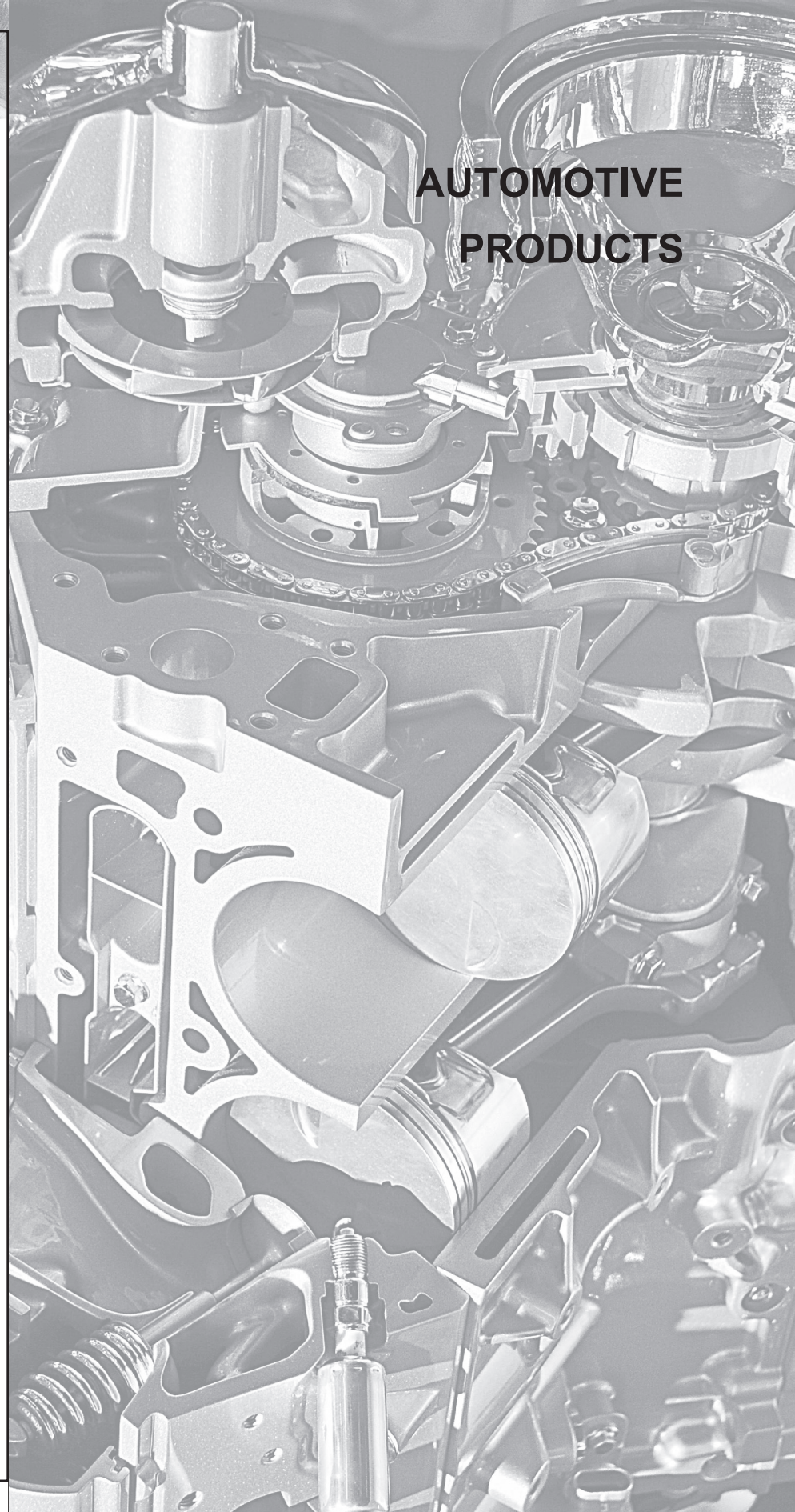
DR206



DR207



AUTOMOTIVE PRODUCTS





AUTOMOTIVE PRODUCTS

Bump stops

